

DRAGON VALVES, INC

Adobe Acrobat Catalog



[Valve List \(Sorted by Description\)](#)

[Sample Order Guide](#)

[Contact & Information Sheet](#)

Version 1.6 (12/16/14)

General Information

Dragon Valves, Inc. founded in 1945 manufactures instrumentation, manifold and specialty valves.

All valves are designed, machined, assembled, and tested in Norwalk, California. Valve styles include, forged and barstock valves in Carbon, 316 Stainless Steel and other alloys. Sizes range from 1/8" through 2" in all end connection types.

Dragon Valves, Inc. manufactures power valves under our ASME NQA-1 and 10CFR50 Appendix B Quality program, although this catalog only covers our commercial product line. Please contact us for your ASME valve requirements.

Industries which rely on our valves include: aerospace, chemical, power generation, commercial diving, ship building, process and petrochemical, to name but a few.

Manufacturing Center :

13457 Excelsior Dr.
Norwalk, Ca 90650-5235
Pho (562) 921-6605
Fax (562) 921-0200
Free (800) 966-4007

Contact List:

Department

Email

Sales

sales@dragonvalves.com

Marketing

marketing@dragonvalves.com

Engineering

engineering@dragonvalves.com

Quality Assurance

qa@dragonvalves.com

Accounting

accounting@dragonvalves.com

VALVE MODELS - SORTED BY DESCRIPTION
 (Click on Valve Model to Navigate to Page)

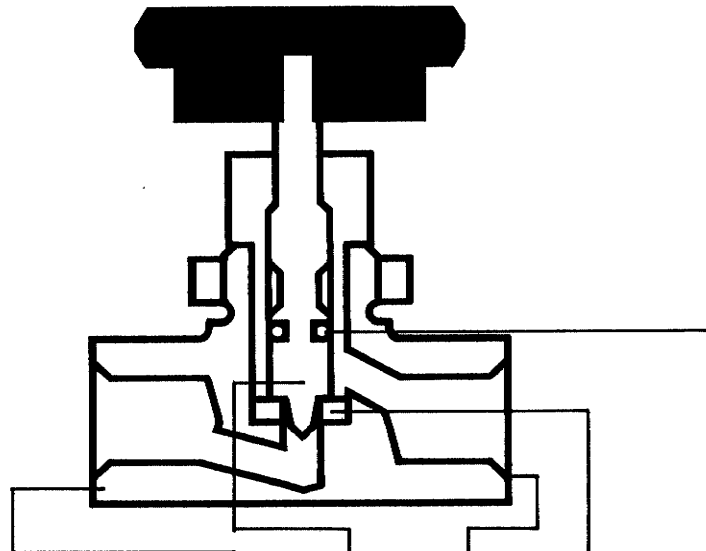
TYPE	MODEL
Bar Stock Valve, 6000 psi, Screwed Bonnet,	10M
Bar Stock Valve, 6000 psi, Screwed Bonnet, 2 Piece	10P
Bar Stock Valve, 6000 psi, Screwed Bonnet, Packing Below Threads, 2 Piece Stem	Z10P
Miniature Valve, Forged Body, 4,500/3000 psi.....	3000
Compact Valve, Forged Body, 10,000/6,000 psi.....	5000
Forged Body Valve, 10,000/6,000 psi, Integral Bonnet.....	10F
Forged Body Valve, 10,000 psi, Integral Bonnet, 2 Piece Stem	400F
Forged Body Valve, 6,000 psi, Union Bonnet.....	5F
Forged Body Valve, 2500# ANSI Class, OS&Y, Sever Service	2Y
Plug Valve, 6,000 psi, .19 Orifice, Rodable, Soft Seat.....	14A/14B
Plug Valve, 6,000 psi, .38 Orifice, Rodable, Soft Seat.....	14A/14B
Plug Valve, 6,000 psi, .63 Orifice, Rodable, Soft Seat.....	14A/14B
Gage Valve 3 Outlets, 6,000 psi, Rodable, Soft Seat, O-Ring Seals.....	15A
Gage Valve 3 Outlets, 6,000 psi, Rodable, Soft Seat, Packed Bonnet	15B
Gage Valve 3 Outlets, 6,000 psi, Hard Seat.....	15C/15T
Gage Valve with Bleed, 6,000 psi, (aka Block & Bleed).....	771
Gage Valve 2 Outlets, 6,000 psi, OS&Y	17
1 Valve Manifold, 6,000/3,000 psi.....	1A/1B
2 Valve Manifold, 6,000/3,000 psi, Block & Bleed.....	2H
2 Valve Manifold, 6,000 psi, Single Flange, Block & Bleed.....	2F
2 Valve Manifold, 6,000 psi, Single Flange, Liquid Level.....	22F
3 Valve Manifold, 6,000/3,000 psi	3H
3 Valve Manifold, 6,000/3,000 psi, Mini Manifold	3M
3 Valve Manifold, 6,000 psi, Rodable	3A/3B
3 Valve Manifold, 6,000 psi, Rodable, Universal Mount.....	3BP
3 Valve Manifold, 6,000 psi, Single Flange.....	3F
3 Valve Manifold, 6,000 psi, Double Flange	3FF
5 Valve Manifold, 6,000 psi.....	55H
5 Valve Manifold, 6,000 psi, Rodable	55A/55B
Soft Seat Forged Body Valve, 6,000/1,500 psi, Compact Style	817
Soft Seat Forged Body Valve, 6,000 psi, O-Ring Seat	818
Soft Seat Cartridge Valve, 6,000/1,500 psi, Compact Style.....	6230
Soft Seat Cartridge Valve, 6,000 psi, O-Ring Seat.....	6863
Cryogenic Valve, 10,000 psi, Extended Bonnet	808Y
Remote Control Valve, 10,000 psi, Air Operated	85/85C
Gage Valve with Stem Test Connection, 6000 psi.....	1



DRAGON SAMPLE ORDERING GUIDE

The ordering guide below represents a basic outline for the entire product line, but does not include special order or engineered products. The illustration on this page merely demonstrates how to order. When ordering your valves consult the specific page for the valve, as each catalog sheet or product bulletin includes separate ordering instructions for that model.

When ordering items not covered in this catalog, please specify the following: Size, operating pressure, body pattern, material for body, stem and trim. Also, end connections, temperature range and special features.

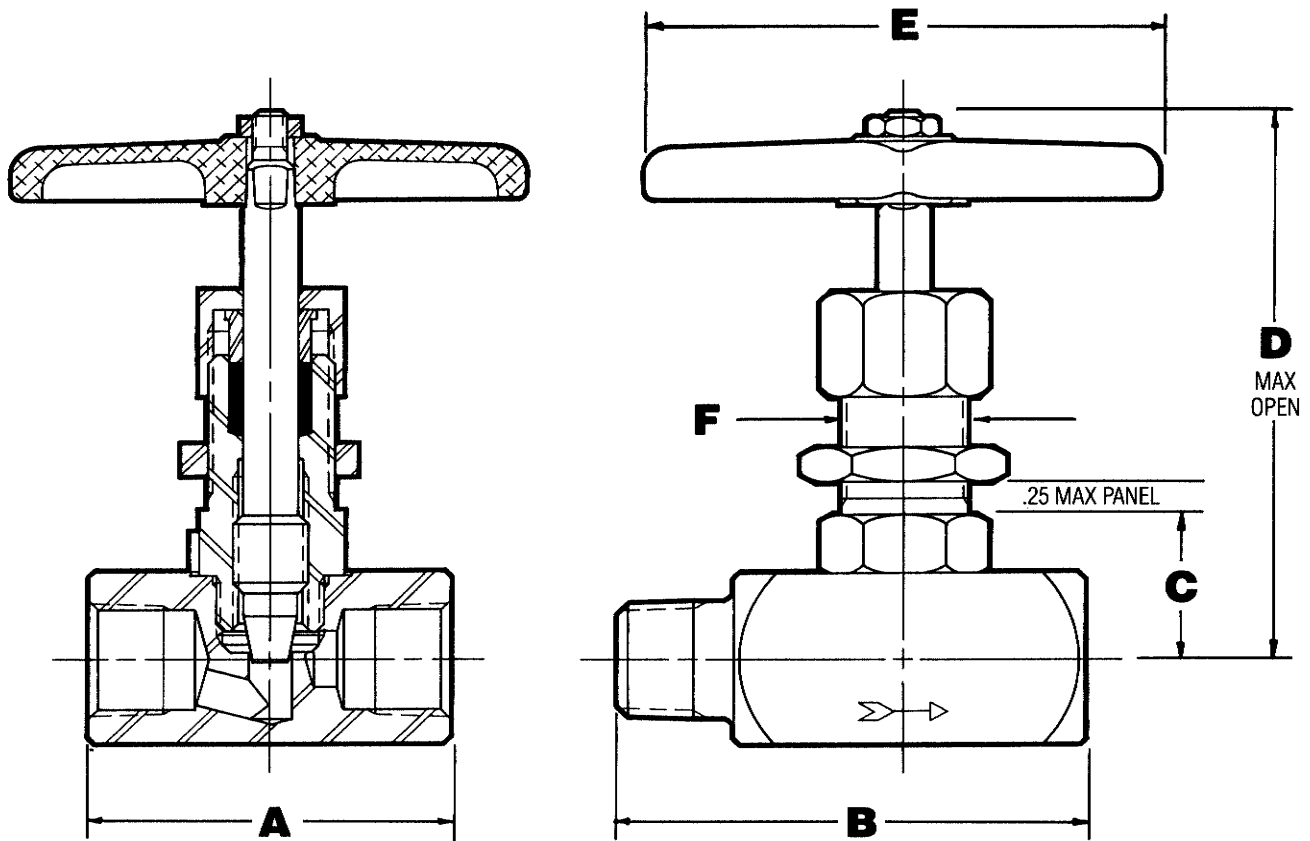


MODEL 817 0 5 3 K R

BODY	BODY MATERIAL	STEM	CONNECTIONS	SEATS	O-RING MATERIAL
	0 BRASS	AISI 303	1 1/8" NPT	K - KEL-F	B BUTYL
3 GLOBE MxM	1 CARBON	AISI 303	2 1/8" TUBE AN2	N - NYLON	P NEOPRENE
	4 ALUM	AISI 303	3 1/4" NPT	T -TEFLON	R - BUTA-N
5 GLOBE MxF	6 MONEL	MONEL	4 1/4" TUBE AN4	P - PEEK	S SILICONE
	7 AISI 304	AISI 303	4P 1/4" CPI		T TEFLON
7 ANGLE FxF	8 ALLOY 20	ALLOY 20	5 3/8" NPT		V VITON
	11 NICKEL	NICKEL	6 3/8" TUBE AN6		E ETHYLENE PROPYLENE
8 ANGLE MxM	12 INCONEL	INCONEL	7 1/2" NPT		
	13 HASTELLOY C	HASTELLOY C	8 1/2 TUBE AN8		PACKING MATERIAL
9 ANGLE MxF	15 ASTM A105		11 3/4" NPT		G GRAFOIL
	16 HASTELLOY B	HASTELLOY B	12 3/4" TUBE AN12		T TEFLON
	17 TITANIUM	TITANIUM	15 1" NPT		K KEL-F
			16 1" TUBE AN16		TZ TEFZEL
			19 1 1/4" NPT		PE UHMW POLYETHYLENE
			23 1 1/2" NPT		
			31 2" NPT		

MODEL 10M

GLOBE VALVE



BILL OF MATERIALS

QTY. ASSY.	PART NAME	MATERIAL/FINISH	
		STAINLESS STEEL	CARBON STEEL
1	BODY	STAINLESS STEEL, TY 316	CARBON STEEL, ZINC. PLTD.
1	STEM	STAINLESS STEEL, TY 316	STAINLESS STEEL, TY 303
1	BONNET	STAINLESS STEEL, TY 316	CARBON STEEL, ZINC. PLTD.
1	PACKING	GRAFOIL	GRAFOIL
1	GLAND	STAINLESS STEEL, TY 316	CARBON STEEL, ZINC. PLTD.
1	PACKNUT	STAINLESS STEEL, TY 316	CARBON STEEL, ZINC. PLTD.
1	HANDLE	ZAMAK	ZAMAK
1	PIN	ST. STL. 300 SERIES	ST. STL. 300 SERIES
1	PANEL NUT	ST. STL. 300 SERIES	ST. STL. 300 SERIES

SPECIFICATIONS

MATERIAL	PRESS	TEMP
STAINLESS STEEL	6000 PSI	200°F
	2000 PSI	850°F
CARBON STEEL	6000 PSI	200°F
	2000 PSI	750°F

MAX. TEMP. W/TEFLON PACKING 500°F

SERVICE: WATER, OIL, GAS

ORDERING INSTRUCTIONS

PART NO. EXAMPLE P 10M 0 5 3 T

OPTION	BODY TYPE	MATERIAL	CONNECTIONS	OPTIONS		
P	0	1	CARBON STEEL	T TEFLON PACKING		
					3	1/4 NPT
	5	3/8 NPT				
	5	5	STAINLESS STEEL TY 316		7	1/2 NPT
					11	3/4 NPT
15				1 NPT		

DIMENSIONS

1	4.25	5.38	2.44	7.25	4.75	1.26	7.50 lbs.	.47
3/4	3	3.88	1.56	5.25	3.56	.89	2.50 lbs.	.35
1/2	2.50	3.25	1.06	4.75	3.56	.89	1.50 lbs.	.28
3/8	2	2.63	.88	4.00	2.56	.76	1 lb.	.18
1/4	2	2.50	.88	4.00	2.56	.76	1 lb.	.18
SIZE	A	B	C	D	E	F	WT.	ORIFICE DIA.

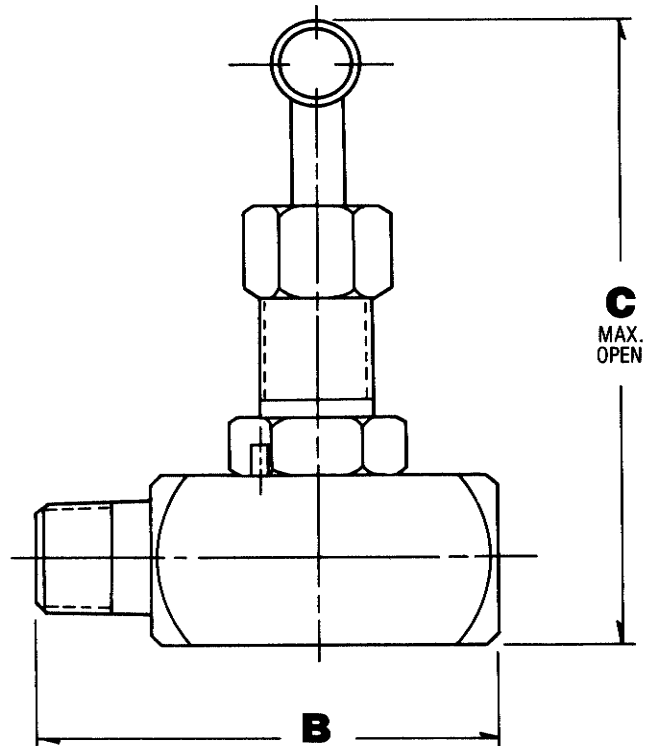
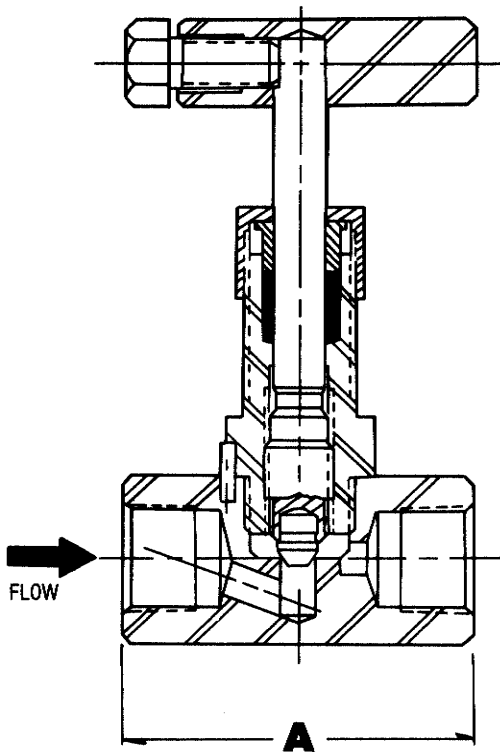
DRAGON VALVES, INC.

13457 EXCELSIOR DRIVE
P.O. BOX 489, NORWALK, CALIF.



GLOBE VALVE

MODEL 10P



DIMENSIONS

	1/2	2.50 (64mm)	3.25 (83mm)	5.00 (125mm)	1.5	.19 (5MM)
	1/4	2.00 (51mm)	2.50 (64mm)	4.75 (121mm)	.8	.19 (5MM)
SIZE		A	B	C	APPROX. SHPG. WT.	ORIFICE DIA.

PREFIX "P" FOR PANEL MOUNTING.

SPECIFICATIONS

MATERIAL	PRESS	TEMP
STAINLESS STEEL	2000 PSI	850°F
	6000 PSI	200°F
CARBON STEEL	2000 PSI	750°F
	6000 PSI	200°F

MAX. TEMP. W/TEFLON PACKING: 500°F

SUFFIX SG ON PART NO.
FOR SOUR GAS
SERVICE: WATER, OIL GAS

BILL OF MATERIALS

QTY. ASSY	PART NAME	MATERIAL & FINISH	
		STAINLESS STEEL	CARBON STEEL
1	BODY	STAINLESS STEEL, TY316	CARBON STEEL, ZINC PLTD.
1	• DISC	ST. STL. 17-4 PH	ST. STL. 17-4 PH
1	• SHANK	ST. STL. 17-4 PH	ST. STL. 17-4 PH
1	STEM ASSY	CONSISTS OF ITEMS •	
1	PIN	ST. STL. 300 SERIES	ST. STL. 300 SERIES
1	BONNET	STAINLESS STEEL, TY316	CARBON STEEL, ZINC PLTD.
1	PACKING	AS ORDERED	AS ORDERED
1	GLAND	STAINLESS STEEL, TY316	CARBON STEEL, ZINC PLTD.
1	PACKNUT	STAINLESS STEEL, TY316	CARBON STEEL, ZINC PLTD.
1	HANDLE	ST. STL. 300 SERIES	CARBON STEEL, ZINC PLTD.
1	CAP SCREW	ST. STL. 300 SERIES	CARBON STEEL, ZINC PLTD.

ORDERING INFORMATION

PART NUMBER	BODY TYPE	MATERIAL	CONNECTIONS	PACKING
10P013	GLOBE FxF	CARBON STEEL	1/4" NPT	GRAFOIL
10P513	GLOBE MxF			
10P053	GLOBE FxF			
10P553	GLOBE MxF	STAINLESS STEEL	1/2" NPT	
10P017	GLOBE FxF	CARBON STEEL		
10P517	GLOBE MxF			
10P057	GLOBE FxF		STAINLESS STEEL	
10P557	GLOBE MxF	STAINLESS STEEL	1/4" NPT	TEFLON
10P013T	GLOBE FxF	CARBON STEEL		
10P513T	GLOBE MxF			
10P053T	GLOBE FxF		STAINLESS STEEL	
10P553T	GLOBE MxF	STAINLESS STEEL	1/2" NPT	
10P017T	GLOBE FxF	CARBON STEEL		
10P517T	GLOBE MxF			
10P057T	GLOBE FxF		STAINLESS STEEL	
10P557T	GLOBE MxF	STAINLESS STEEL		

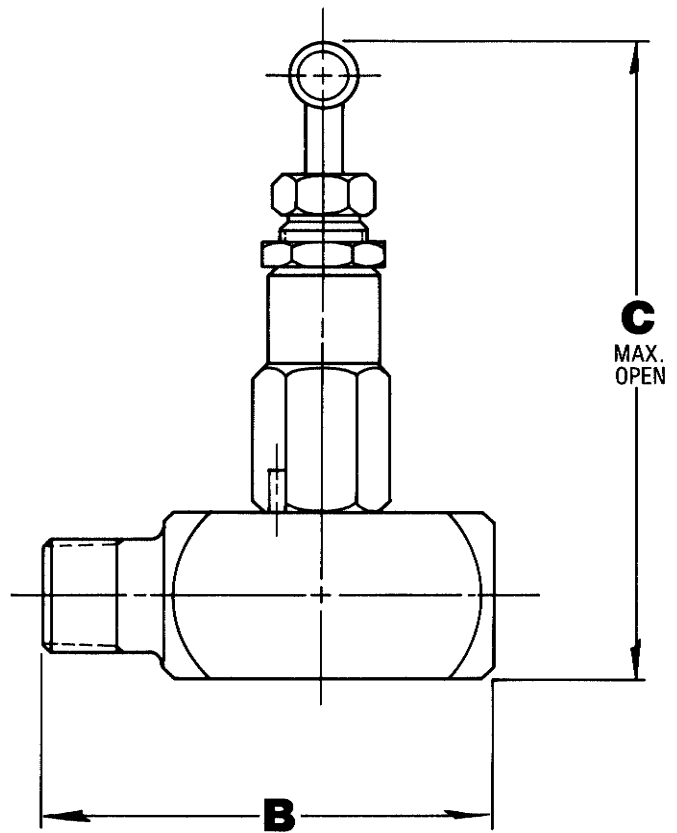
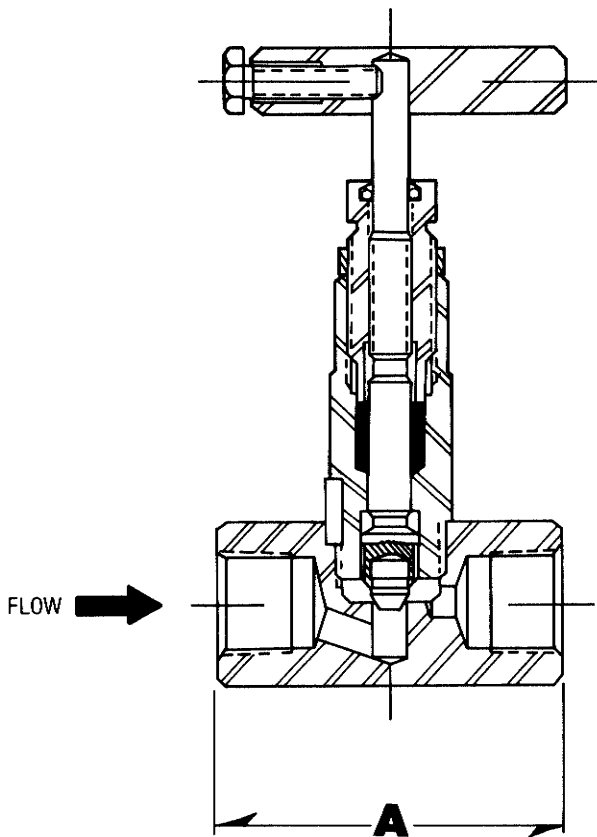
DRAGON VALVES, INC.

13457 EXCELSIOR DRIVE
P.O. BOX 489, NORWALK, CALIF.



GLOBE VALVE

MODEL Z10P



SPECIFICATIONS

MATERIAL	PRESS	TEMP
STAINLESS STEEL	6000 PSI	200°F
	2000 PSI	850°F
CARBON STEEL	6000 PSI	200°F
	2000 PSI	750°F
MAX. TEMP. W/TEFLON PACK.: 500°F		

SERVICE: WATER, OIL GAS

BILL OF MATERIAL

QTY. ASSY	PART NAME	MATERIAL	
		STAINLESS STEEL	CARBON STEEL
1	HANDLE	ST. STL. 300 SERIES	CARBON STEEL, ZINC PLTD.
1	CAP SCREWS	ST. STL. 300 SERIES	CARBON STEEL, ZINC PLTD.
1	O-RING	TEFLON	TEFLON
1	FOLLOWER	STAINLESS STEEL TY 303	CARBON STEEL, ZINC PLTD.
1	LOCK NUT	ST. STL. 300 SERIES	CARBON STEEL, ZINC PLTD.
1	PACKING	AS ORDERED	AS ORDERED
1	BONNET	STAINLESS STEEL TY 316	CARBON STEEL, ZINC PLTD.
1	PIN	ST. STL. 300 SERIES	ST. STL. 300 SERIES
1	STEM ASSY	CONSISTS OF ITEMS •	
1	•SHANK	ST. STL. 17-4 PH	ST. STL. 17-4 PH
1	•DISC	ST. STL. 17-4 PH	ST. STL. 17-4 PH
	BODY	STAINLESS STEEL TY 316	CARBON STEEL, ZINC PLTD.

DIMENSIONS

1/2	2.50 (64mm)	3.25 (83mm)	5.50 (140mm)	1.5	.19 (5mm)
1/4	2.00 (51mm)	2.50 (64mm)	5.00 (127mm)	.8	.19 (5mm)
VALVE SIZE	A	B	C	UNIT WEIGHT	ORIFICE DIA.

ORDERING INSTRUCTIONS

PART NUMBER	BODY TYPE	MATERIAL	CONNECTIONS	PACKING
Z10P013	FEMALE x FEMALE	CARBON STEEL	1/4 NPT	GRAFOIL
Z10P513	MALE x FEMALE			
Z10P053	FEMALE x FEMALE			
Z10P553	MALE x FEMALE	STAINLESS STEEL	1/2 NPT	
Z10P017	FEMALE x FEMALE			
Z10P517	MALE x FEMALE			
Z10P057	FEMALE x FEMALE	STAINLESS STEEL	1/2 NPT	
Z10P557	MALE x FEMALE			
Z10P013T	FEMALE x FEMALE			CARBON STEEL
Z10P513T	MALE x FEMALE			
Z10P053T	FEMALE x FEMALE			
Z10P553T	MALE x FEMALE	STAINLESS STEEL	1/4 NPT	
Z10P017T	FEMALE x FEMALE			
Z10P517T	MALE x FEMALE			
Z10P057T	FEMALE x FEMALE	ST. STL.	1/2 NPT	

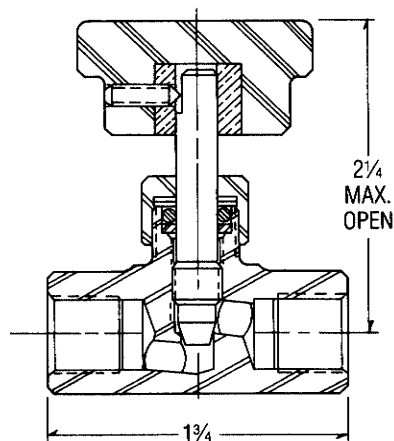
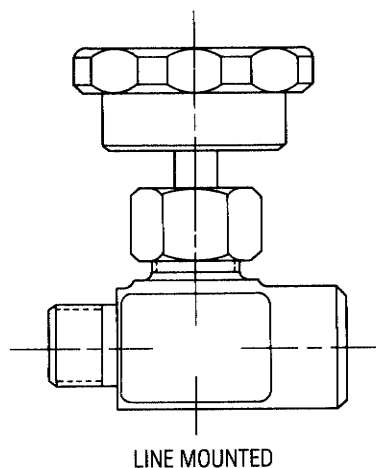
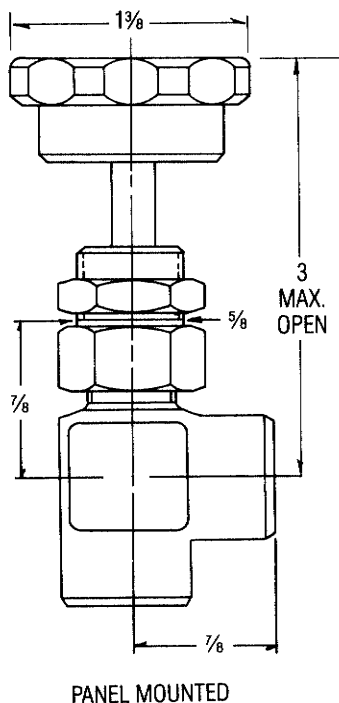
DRAGON VALVES, INC.

13457 EXCELSIOR DRIVE
P.O. BOX 489, NORWALK, CALIF.

MODEL 3000



MINIATURE NEEDLE VALVE



BILL OF MATERIALS

QTY. ASSY	PART NAME	STAINLESS STEEL	BRASS
1	BODY	STAINLESS STEEL TY 316	BRASS
1	STEM	STAINLESS STEEL TY 316	STAINLESS STEEL TY 303
1	LOCK NUT	BRASS NICKEL PLATED	BRASS NICKEL PLATED
1	PACK NUT	BRASS NICKEL PLATED	BRASS NICKEL PLATED
1	HANDLE	PLASTIC	PLASTIC
1	O-RING	AS ORDERED	

ORDERING INSTRUCTIONS

PART NO. P 3 0 5 2 T

BODY TYPE	MATERIAL	CONNECTIONS	PACKING
30 GLOBE FXF	0 BRASS	1 1/8 NPT	BUNA-N STD
35 GLOBE MXF			
37 ANGLE FXF	5 STAINLESS STEEL	3 1/4 NPT	T TEFLON
39 ANGLE MXF		4 1/4 TUBE	

Prefix Letter P to Part Number for Panel Mounting Only

SPECIFICATIONS

MATERIAL	PRESS	TEMP
ST. STL.	4500 PSI	200°F
BRASS	3000 PSI	200°F

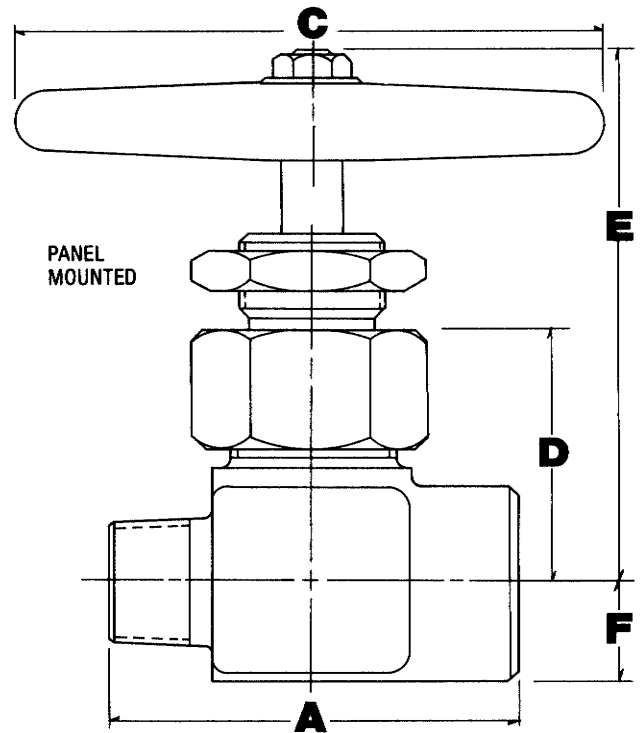
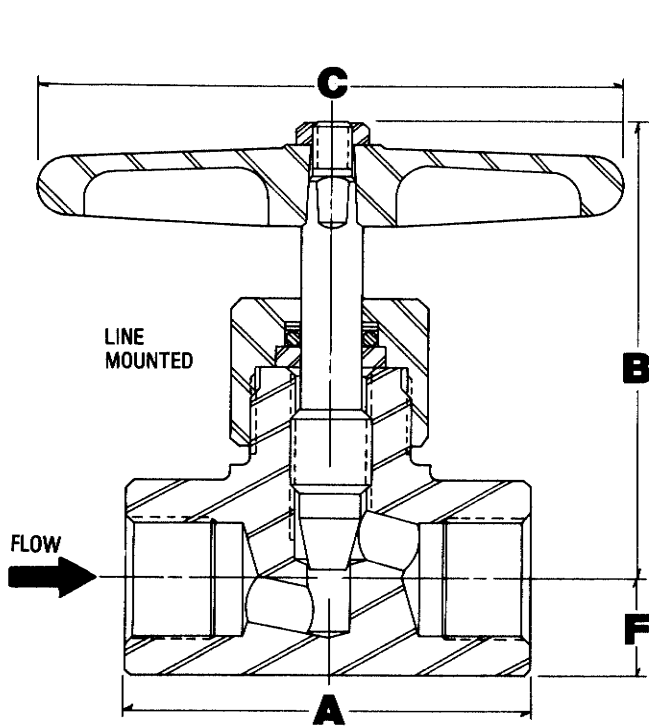
SERVICE: WATER, OIL, GAS
ORIFICE SIZE: 0.170
APPROX. SHPG. WT. 1/4 lbs.

13457 EXCELSIOR DRIVE
P.O. BOX 489, NORWALK, CALIF.



GENERAL PURPOSE NEEDLE VALVE

MODEL 5000



ORDERING INSTRUCTIONS

EXAMPLE P 50 03

BODY TYPE		CONNECTIONS	PRESS	TEMP
50	GLOBE FXF	03 1/4 NPT	10,000 PSI	200 °F
		05 3/8 NPT		
		07 1/2 NPT		
55	GLOBE MXF	11 3/4 NPT	6000 PSI	
		15 1 NPT		

Prefix Letter P to Part Number for Panel Mounting Only
SERVICE: WATER, OIL, GAS

BILL OF MATERIALS

QTY. ASSY	PART NAME	MATERIAL
		CARBON STEEL
1	BODY	CARBON STEEL
1	STEM	STAINLESS STEEL TY 303
1	HANDLE	ZAMAK OR MALL IRON
1	O-RING	BUNA-N (STANDARD)
1	RETAINING RING	TEFLON (STANDARD)
1	STOP NUT	CARBON STEEL, ZINC PLTD.
1	WASHER	CARBON STEEL, ZINC PLTD.
1	HEX NUT	CARBON STEEL, ZINC PLTD.

DIMENSIONS

1	4 1/4	4 1/2	4 3/4	2 1/4	6 1/4	1	1 1/8	6	1 5/32
3/4	3	3 1/2	3 7/16	1 3/4	4 5/8	3/4	1 1/8	3	1 1/32
1/2	2 1/2	3 3/8	3 1/16	1 5/8	4 1/4	5/8	5 7/16	1 1/2	1 7/16
3/8	2 1/2	3 3/8	3 1/16	1 5/8	4 1/4	5/8	5 7/16	1 1/2	1 7/16
1/4	2	3 1/4	2 9/16	1 1/2	3 3/4	1/2	4 9/16	3/4	3 1/16
SIZE	A	B OPEN MAX.	C	D	E OPEN MAX.	F	BORE FOR PANEL	WGT. LBS.	ORIFICE DIA

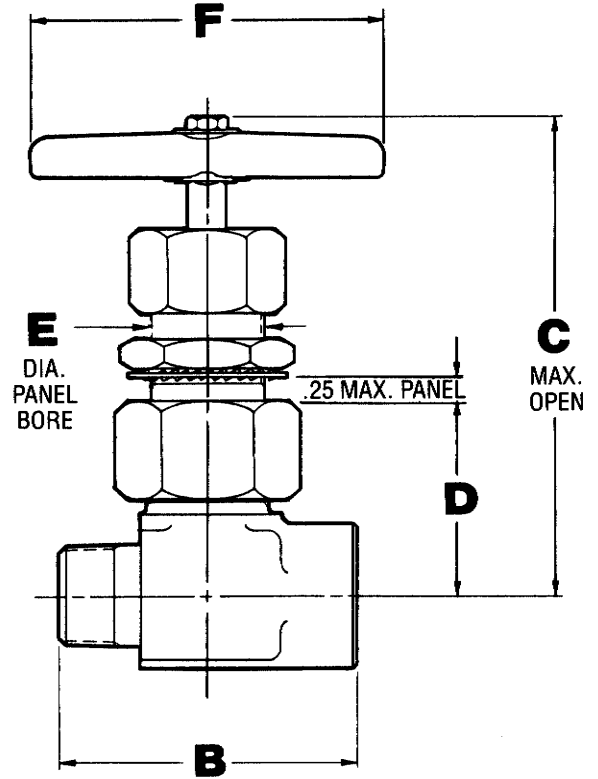
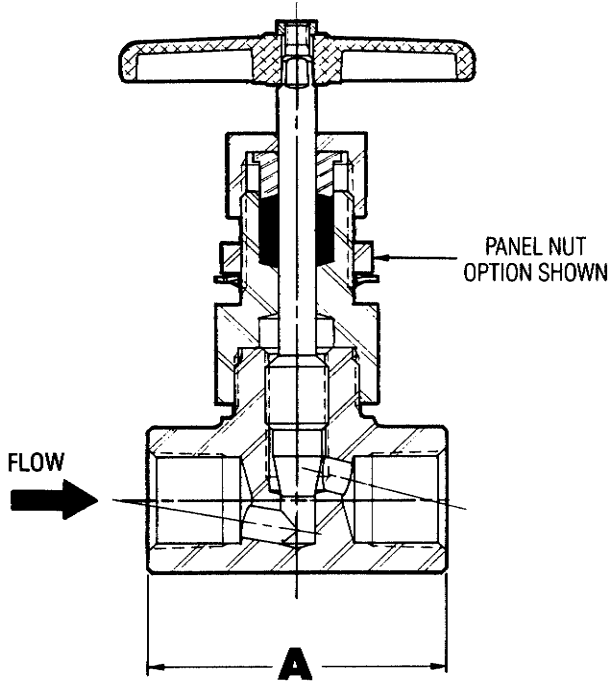
DRAGON VALVES, INC.

13457 EXCELSIOR DRIVE
P.O. BOX 489, NORWALK, CALIF.



MODEL 10F

GLOBE VALVE INTEGRAL BONNET



SPECIFICATIONS

MATERIAL	PRESS	TEMP	SIZE
STAINLESS STEEL	10,000	@200°F	1/8, 1/4,
	2,000	@850°F	3/8, 1/2
	6,000	@200°F	3/4, 1
	2,000	@850°F	
CARBON STEEL	10,000	@200°F	1/8, 1/4,
	2,000	@750°F	3/8, 1/2
	6,000	@200°F	3/4, 1
	2,000	@750°F	

ORDERING INSTRUCTIONS

PART NO. EXAMPLE P 10F 0 5 7 T

OPTION	BODY TYPE	MATERIAL	CONNECTIONS	OPTIONS
P PANEL MOUNT	0 GLOBE FXF	1 CARBON STEEL	3 1/4 NPT	T TEFLON PACKING
			5 3/8 NPT	
			7 1/2 NPT	
	5 GLOBE MXF	5 STAINLESS STEEL TY 316	11 3/4 NPT	
			15 1 NPT	

WITH TEFLON PACKING MAX. TEMP. 500°F
SERVICE: WATER, OIL, GAS

BILL OF MATERIALS

QTY. PER ASSY.	PART NAME	MATERIAL SPECIFICATIONS	
		STAINLESS STEEL	CARBON STEEL
1	BODY	STAINLESS STEEL TY316	CARBON STEEL, ZINC PLTD.
1	STEM	STAINLESS STEEL TY316	STAINLESS STEEL TY303
1	STOP NUT	STAINLESS STEEL TY316	CARBON STEEL, ZINC PLTD.
1	LOCK WASHER	CARBON STEEL, ZINC PLTD.	CARBON STEEL, ZINC PLTD.
1	PANEL NUT	ST. STL. 300 SERIES	CARBON STEEL, ZINC PLTD.
1	PACKING SET	GRAFOIL	GRAFOIL
1	PACKING GLAND	STAINLESS STEEL TY316	CARBON STEEL, ZINC PLTD.
1	PACKING NUT	STAINLESS STEEL TY316	CARBON STEEL, ZINC PLTD.
1	HANDLE	ZAMAK	ZAMAK
1	HEX NUT	CARBON STEEL, ZINC PLTD.	CARBON STEEL, ZINC PLTD.

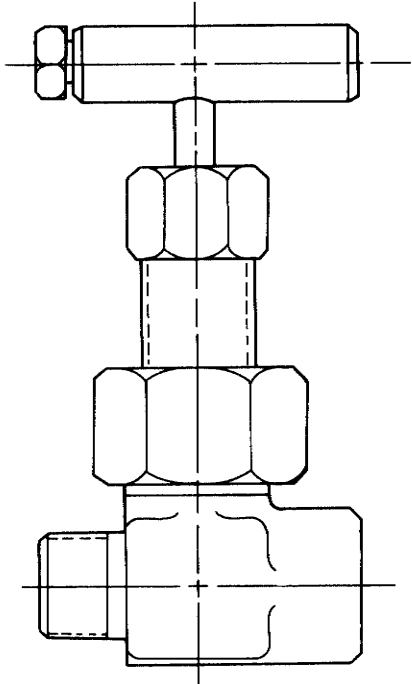
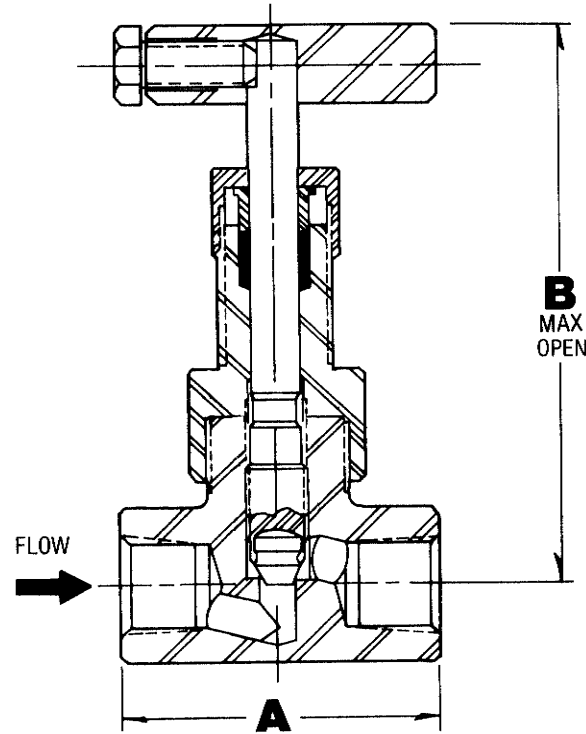
DIMENSIONS

SIZE	A	B	C	D	E	F	ORIFICE DIA.	EST. WGT. LBS.
1/8	2.00	2.00	4.50	1.44	.781	2.56	.156	1.1
1/4	2.00	2.00	4.50	1.44	.781	2.56	.188	1.1
3/8	2.00	2.00	4.50	1.44	.781	2.56	.188	1.1
1/2	2.50	2.50	5.25	1.81	.906	3.56	.266	2.2
3/4	3.00	3.00	5.87	2.09	1.156	3.56	.344	3.9
1	4.25	4.25	7.69	2.56	1.281	4.75	.469	9.0



MODEL 400F

**GLOBE VALVE
INTEGRAL BONNET**



DIMENSIONS

1/4	2 (51MM)	4 (100MM)	1.0	.19 (5MM)
1/2	2.5 (64MM)	4.8 (121MM)	1.5	.28 (7MM)
VALVE SIZE	A	B	UNIT WT. LB.	ORIFICE DIA.

SPECIFICATIONS

MATERIAL	PRESS	TEMP
STAINLESS STEEL	10,000 PSI	200 °F
STEEL	2000 PSI	850 °F
CARBON STEEL	10,000 PSI	200 °F
STEEL	2000 PSI	750 °F

SUFFIX SG ON PART NO. FOR SOUR GAS

MAX. TEMP. W/TEFLON PACKING 500 °F
SERVICE: WATER, OIL, GAS

BILL OF MATERIALS

QTY. ASSY	PART NAME	MATERIAL/FINISH	
		STAINLESS STEEL	CARBON STEEL
1	BODY	STAINLESS STEEL TY316	CARBON STEEL, ZINC PLTD.
1	• DISC	ST. STL. 17-4 PH	ST. STL. 17-4 PH
1	• SHANK	ST. STL. 17-4 PH	ST. STL. 17-4 PH
1	STEM ASSY.	CONSISTS OF ITEMS •	
1	STOPNUT	STAINLESS STEEL TY316	CARBON STEEL, ZINC PLTD.
1	PACKING	GRAFOIL	GRAFOIL
1	GLAND	STAINLESS STEEL TY 316	CARBON STEEL, ZINC PLTD.
1	PACKNUT	STAINLESS STEEL TY316	CARBON STEEL, ZINC PLTD.
1	CAP SCREW	ST. STL. 300 SERIES	CARBON STEEL, ZINC PLTD.
1	HANDLE	ST. STL. 300 SERIES	CARBON STEEL, ZINC PLTD.

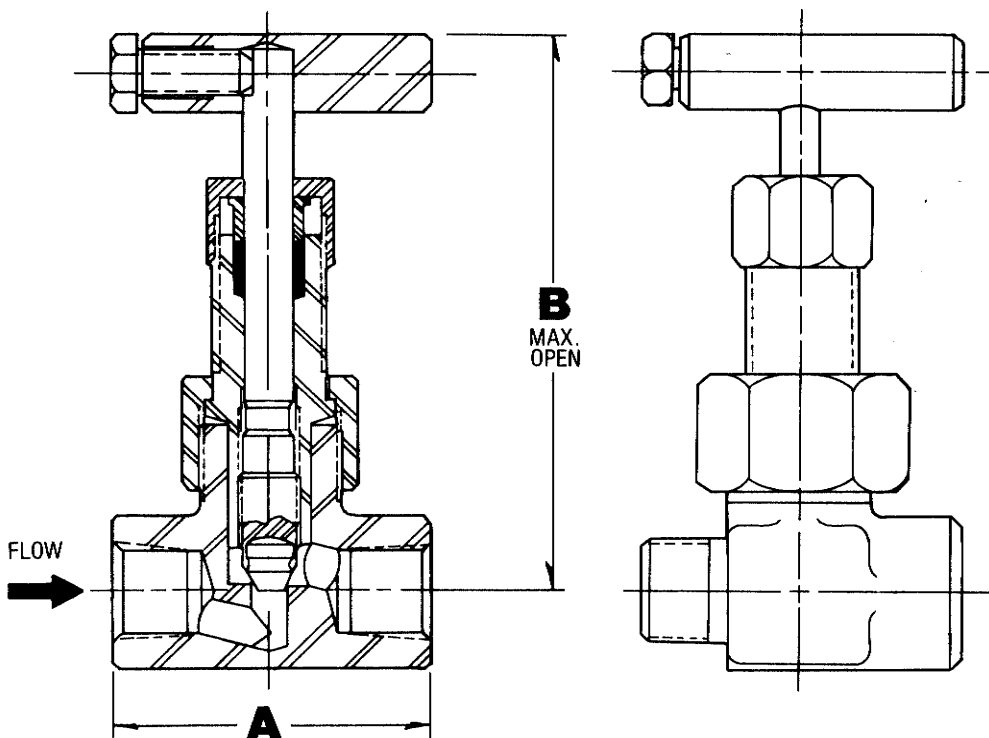
ORDERING INFORMATION

PART NUMBER	BODY TYPE	MATERIAL	CONNECTIONS	PACKING
400F013	GLOBE FxF	CARBON STEEL	1/4" NPT	GRAFOIL
400F513	GLOBE MxF			
400F053	GLOBE FxF			
400F553	GLOBE MxF	STAINLESS STEEL	1/2" NPT	
400F017	GLOBE FxF			
400F517	GLOBE MxF			
400F057	GLOBE FxF	STAINLESS STEEL	1/4" NPT	
400F557	GLOBE MxF			
400F013T	GLOBE FxF	CARBON STEEL	1/4" NPT	TEFLON
400F513T	GLOBE MxF			
400F053T	GLOBE FxF			
400F553T	GLOBE MxF	STAINLESS STEEL	1/2" NPT	
400F017T	GLOBE FxF			
400F517T	GLOBE MxF			
400F057T	GLOBE FxF	STAINLESS STEEL	1/2" NPT	
400F557T	GLOBE MxF			



GLOBE VALVE UNION BONNET

MODEL 5F



SPECIFICATIONS

MATERIAL	PRESS	TEMP
STAINLESS STEEL	6000 PSI	200 °F
	2000 PSI	850 °F
CARBON STEEL	6000 PSI	200 °F
	2000 PSI	750 °F

MAX. TEMP. W/TEFLON PACKING 500 °F
SERVICE: WATER, OIL, GAS

BILL OF MATERIALS

QTY. ASSY	PART NAME	MATERIAL/FINISH	
		STAINLESS STEEL	CARBON STEEL
1	BODY	STAINLESS STEEL TY316	CARBON STEEL, ZINC PLTD.
1	• DISC	ST. STL. 17-4 PH	ST. STL. 17-4 PH
1	• SHANK	ST. STL. 17-4 PH	ST. STL. 17-4 PH
1	STEM ASSY.	CONSISTS OF ITEMS •	
1	UNION NUT	STAINLESS STEEL TY316	CARBON STEEL, ZINC PLTD.
1	BONNET	STAINLESS STEEL TY316	CARBON STEEL, ZINC PLTD.
1	PACKING	GRAFOIL	GRAFOIL
1	GLAND	STAINLESS STEEL TY 316	CARBON STEEL, ZINC PLTD.
1	PACKNUT	STAINLESS STEEL TY316	CARBON STEEL, ZINC PLTD.
1	CAP SCREW	ST. STL. 300 SERIES	CARBON STEEL, ZINC PLTD.
1	HANDLE	ST. STL. 300 SERIES	CARBON STEEL, ZINC PLTD.

DIMENSIONS

2	31, 31 SW	6.0 152 mm	9.75 248 mm	28.0	1.00 25 mm
1½	23, 23 SW	6.0 152 mm	9.75 248 mm	28.0	.87 22 mm
1	15, 15 SW	4.25 108 mm	6.88 175 mm	7.6	.50 13 mm
SIZE	INLET OR OUTLET CONNECTION	A	B	WGT. LBS.	ORIFICE DIA.

ORDERING INSTRUCTIONS

PART NO. EXAMPLE 5F 0 5 15 SW SUFFIX SG ON PART NO.
FOR SOUR GAS

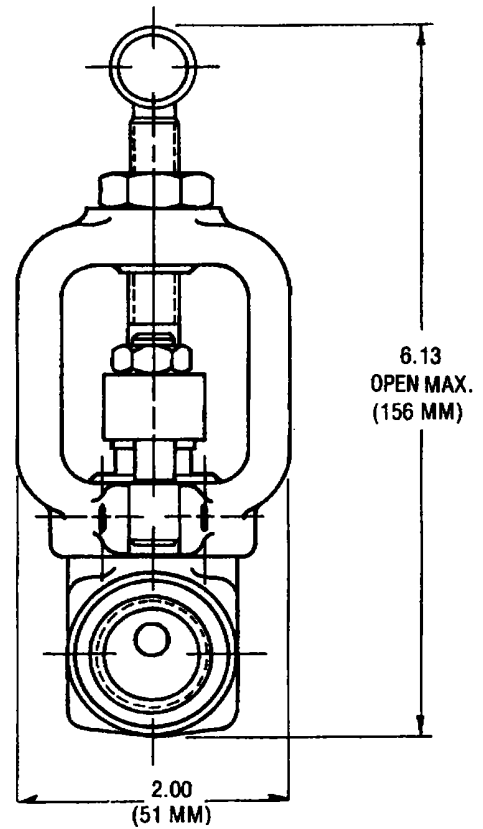
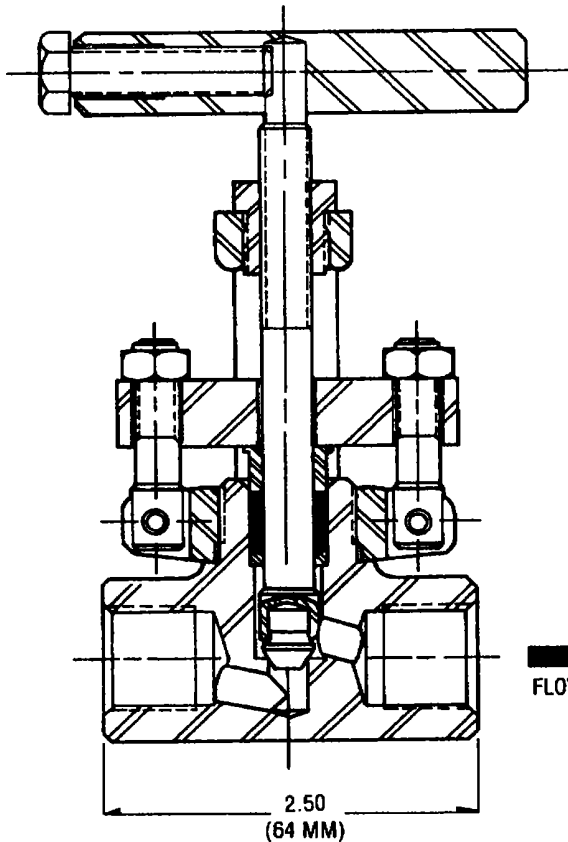
BODY TYPE	MATERIAL	CONNECTIONS	OPTIONS
0 GLOBE F x F	1 CARBON STEEL	15 1 NPT	SW PIPE SOCKET WELD
		23 1½ NPT	D1 STELLITE DISC
5 GLOBE M x F	STAINLESS STEEL	31 2 NPT	D2 STELLITE DISC/SEAT
			T TEFLON PACKING

DRAGON VALVES, INC.

13457 EXCELSIOR DRIVE
P.O. BOX 489, NORWALK, CA 90650-0489

MODEL 2Y

GLOBE VALVE INTEGRAL BONNET • OS&Y



BILL OF MATERIALS

QTY. ASSY	PART NAME	MATERIAL & FINISH	
		STAINLESS STEEL	CARBON STEEL
1	BODY	STAINLESS STEEL TY 316	CARBON STEEL ZINC PLTD
1	• DISC	ST. STL. 17-4 PH	STAINLESS STEEL TY416
1	• SHANK	ST. STL. 17-4 PH	STAINLESS STEEL TY416
1	STEM ASSY.	CONSISTS OF ITEMS •	
1	WASHER	STAINLESS STEEL TY 316	CARBON STEEL ZINC PLTD
2	PIN	ST. STL. 300 SERIES	ST. STL. 300 SERIES
1	PACKING	GRAFOIL	GRAFOIL
1	PACKING GLAND	STAINLESS STEEL TY 316	CARBON STEEL ZINC PLTD
2	HOLD-DOWN BOLT	ST. STL. 300 SERIES	CARBON STEEL ZINC PLTD
1	GLAND FLANGE	ST. STL. 300 SERIES	CARBON STEEL ZINC PLTD
2	HEX NUT	ST. STL. 300 SERIES	CARBON STEEL ZINC PLTD
1	YOKE	STAINLESS STEEL TY 316	CARBON STEEL ZINC PLTD
1	BUSHING	STAINLESS STEEL TY 416	STAINLESS STEEL TY 416
1	CAP SCREW	ST. STL. 300 SERIES	CARBON STEEL ZINC PLTD
1	HANDLE	ST. STL. 300 SERIES	CARBON STEEL ZINC PLTD

ADDITIONAL INFORMATION:

HARD FACED SEAT AVAILABLE: SUFFIX PART NO. WITH HF
SERVICE: WATER, OIL, GAS
ORIFICE: .28 DIA. (7MM)

ORDERING INFORMATION

PART NUMBER	BODY TYPE	MATERIAL	SIZE
2Y013	GLOBE FxF	CARBON STEEL	1/4" NPT
2Y713	ANGLE FxF		
2Y053	GLOBE FxF	STAINLESS STEEL	3/8" NPT
2Y753	ANGLE FxF		
2Y015	GLOBE FxF	CARBON STEEL	3/8" NPT
2Y715	ANGLE FxF		
2Y055	GLOBE FxF	STAINLESS STEEL	1/2" NPT
2Y755	ANGLE FxF		
2Y017	GLOBE FxF	CARBON STEEL	1/2" NPT
2Y717	ANGLE FxF		
2Y057	GLOBE FxF	STAINLESS STEEL	1/2" NPT
2Y757	ANGLE FxF		

SPECIFICATIONS

MATERIAL	PRESS	TEMP
STAINLESS STEEL	6000 PSI	100°F
	2500 PSI	1100°F
CARBON STEEL	6000 PSI	100°F
	2500 PSI	800°F

ANSI CLASS: 2500 LB.

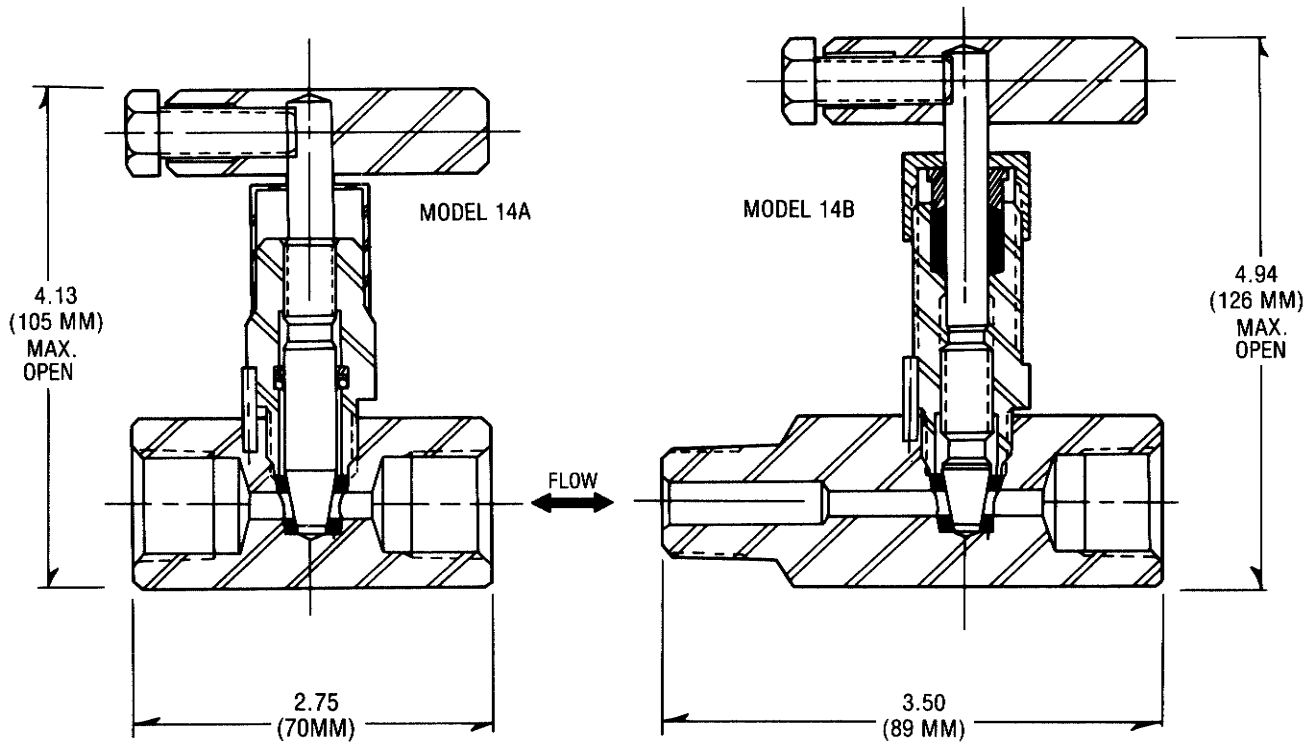
DRAGON VALVES, INC.

13457 EXCELSIOR DRIVE
P.O. BOX 489, NORWALK, CA 90650-0489



PLUG VALVE SOFT SEAT STRAIGHT THRU

**MODEL 14A
MODEL 14B
ORIFICE .19**



SPECIFICATIONS

OPERATING PRESSURE & TEMP:

6000 PSI AT 200°F

SERVICE: WATER, OIL, GAS

AVAILABLE FOR SOUR GAS SERVICE TO NACE STD.

MR-01-75, CONSULT FACTORY FOR MATERIAL SPEC.

BILL OF MATERIALS

QTY. ASSY	PART NAME	MATERIAL & FINISH	
		STAINLESS STEEL	CARBON STEEL
1	BODY	STAINLESS STEEL TY316	CARBON STEEL, ZINC PLTD.
1	PIN, SEAT	ST. STL. 300 SERIES	ST. STL. 300 SERIES
1	SEAT	DELRIN	DELRIN
1	PIN, BONNET	ST. STL. 300 SERIES	ST. STL. 300 SERIES
1	O-RING	BUNA-N	BUNA-N
1	BACK-UPRING	TEFLON	TEFLON
1	BONNET	STAINLESS STEEL TY316	CARBON STEEL, ZINC PLTD.
1	STEM	ST. STL. 17-4 PH	ST. STL. 17-4 PH
1	DUST COVER	POLYETHYLENE	POLYETHYLENE
1	CAP SCREW	ST. STL. 300 SERIES	CARBON STEEL, ZINC PLTD.
1	HANDLE	ST. STL. 300 SERIES	CARBON STEEL, ZINC PLTD.
1	PACKING	TEFLON	TEFLON
1	GLAND	STAINLESS STEEL TY316	CARBON STEEL, ZINC PLTD.
1	PACKNUT	STAINLESS STEEL TY316	CARBON STEEL, ZINC PLTD.

ORDERING INFORMATION

PART NUMBER	PACKING	BODY TYPE	MATERIAL	CONNECTIONS
14A013	O-RING	GLOBE FxF	CARBON STEEL	1/4" NPT
14B013	TEFLON			
14A513	O-RING	GLOBE MxF		
14B513	TEFLON			
14A053	O-RING	GLOBE FxF	STAINLESS STEEL	1/2" NPT
14B053	TEFLON			
14A553	O-RING	GLOBE MxF		
14B553	TEFLON			
14A017S	O-RING	GLOBE FxF	CARBON STEEL	1/2" NPT
14B017S	TEFLON			
14A517S	O-RING	GLOBE MxF		
14B517S	TEFLON			
14A057S	O-RING	GLOBE FxF	STAINLESS STEEL	1/2" NPT
14B057S	TEFLON			
14A557S	O-RING	GLOBE MxF		
14B557S	TEFLON			

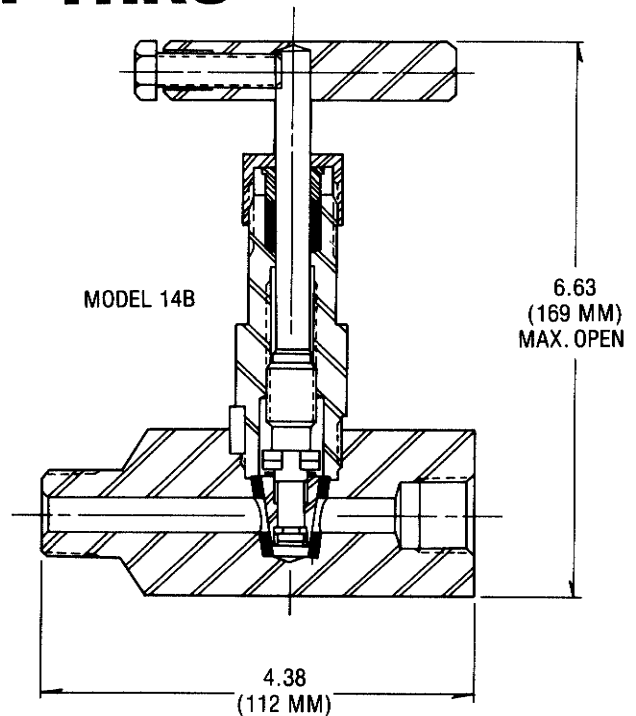
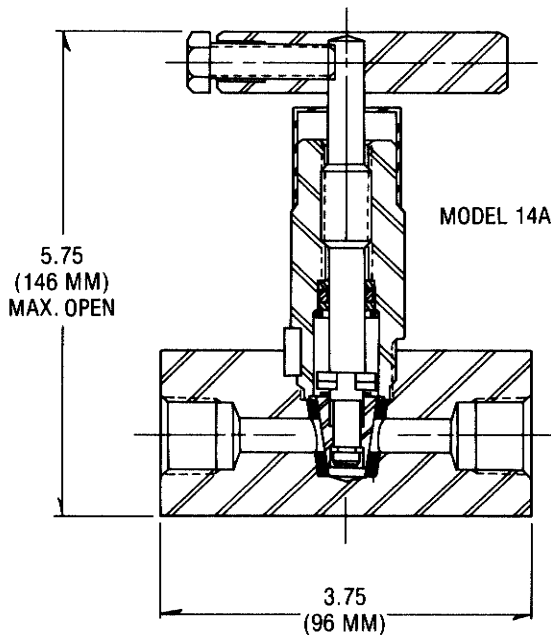
DRAGON VALVES, INC.

13457 EXCELSIOR DRIVE
P.O. BOX 489, NORWALK, CALIF.



**MODEL 14A
MODEL 14B
ORIFICE .38**

PLUG VALVE SOFT SEAT STRAIGHT THRU



SPECIFICATIONS

OPERATING PRESSURE AND TEMP 6000 PSI AT 200°F
NON ROTATING STEM DISC
SERVICE: WATER, OIL, GAS
AVAILABLE FOR SOUR GAS SERVICE TO NACE STD.
MR-01-75, CONSULT FACTORY FOR MATERIAL SPEC.

BILL OF MATERIALS

QTY. ASSY.	PART NAME	MATERIAL & FINISH	
		STAINLESS STEEL	CARBON STEEL
1	BODY	STAINLESS STEEL TY316	CARBON STEEL, ZINC PLTD.
1	PIN, SEAT	ST. STL. 300 SERIES	ST. STL. 300 SERIES
1	SEAT	DELRIN	DELRIN
1	PIN, BONNET	ST. STL. 300 SERIES	ST. STL. 300 SERIES
1	O-RING	BUNA-N	BUNA-N
2	BACK-UP RING	TEFLON	TEFLON
1	BONNET	STAINLESS STEEL TY316	CARBON STEEL, ZINC PLTD.
1	STEM	ST. STL. 17-4 PH	ST. STL. 17-4 PH
1	DUST COVER	POLYETHYLENE	POLYETHYLENE
1	CAP SCREW	ST. STL. 300 SERIES	CARBON STEEL, ZINC PLTD.
1	HANDLE	ST. STL. 300 SERIES	CARBON STEEL, ZINC PLTD.
1	PACKING	TEFLON	TEFLON
1	GLAND	STAINLESS STEEL TY316	CARBON STEEL, ZINC PLTD.
1	PACKNUT	STAINLESS STEEL TY316	CARBON STEEL, ZINC PLTD.
1	DISC. ASSY.	ST. STL. 300 SERIES	ST. STL. 300 SERIES
1	RETAINING RING	ST. STL. 300 SERIES	ST. STL. 300 SERIES

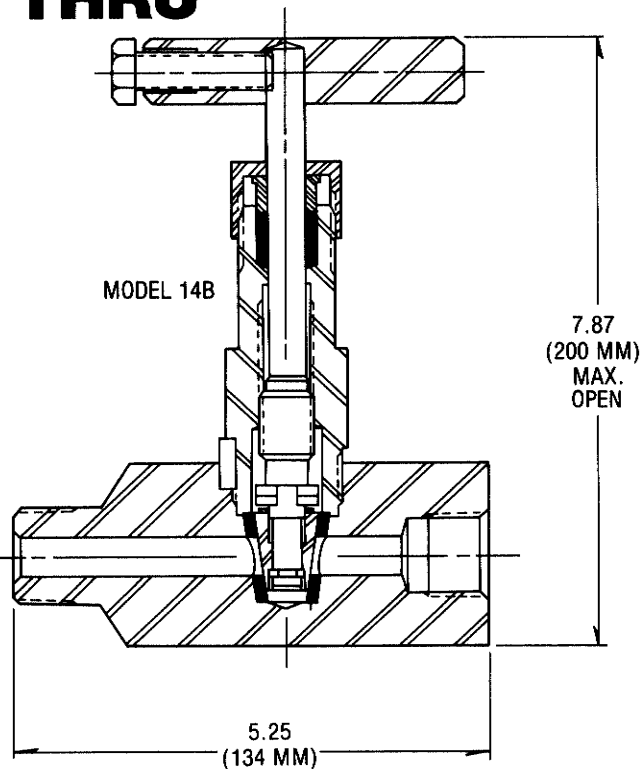
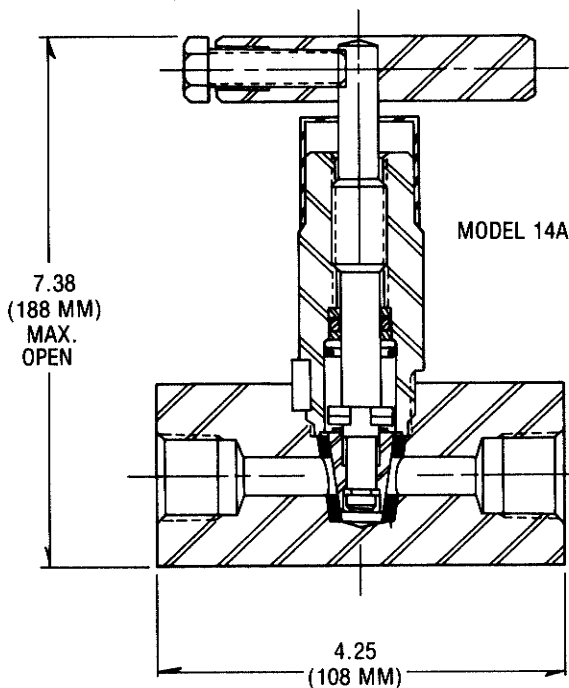
ORDERING INFORMATION

PART NUMBER	PACKING	BODY TYPE	MATERIAL	CONNECTIONS	
14A017	O-RING	GLOBE FxF	CARBON STEEL	1/2" NPT	
14B017	TEFLON	GLOBE MxF			
14A517	O-RING				
14B517	TEFLON				
14A057	O-RING	GLOBE FxF	STAINLESS STEEL		
14B057	TEFLON	GLOBE MxF			
14A557	O-RING				
14B557	TEFLON	GLOBE FxF	CARBON STEEL		
14A0111S	O-RING			GLOBE MxF	
14B0111S	TEFLON				
14A5111S	O-RING				
14B5111S	TEFLON	GLOBE FxF		STAINLESS STEEL	
14A0511S	O-RING				GLOBE MxF
14B0511S	TEFLON				
14A5511S	O-RING	GLOBE FxF			CARBON STEEL
14B5511S	TEFLON		GLOBE MxF		
14A0115S	O-RING				
14B0115S	TEFLON				
14A5115S	O-RING	GLOBE FxF	STAINLESS STEEL		
14B5115S	TEFLON			GLOBE MxF	
14A0515S	O-RING				
14B0515S	TEFLON				
14A5515S	O-RING	GLOBE FxF			
14B5515S	TEFLON			GLOBE MxF	



PLUG VALVE SOFT SEAT STRAIGHT THRU

**MODEL 14A
MODEL 14B
ORIFICE .63**



SPECIFICATIONS

OPERATING PRESSURE AND TEMP 6000 PSI AT 200°F
NON ROTATING STEM DISC
SERVICE: WATER, OIL, GAS
AVAILABLE FOR SOUR GAS SERVICE TO NACE STD.
MR-01-75, CONSULT FACTORY FOR MATERIAL SPEC.

BILL OF MATERIALS

QTY. ASSY	PART NAME	MATERIAL & FINISH	
		STAINLESS STEEL	CARBON STEEL
1	BODY	STAINLESS STEEL TY316	CARBON STEEL, ZINC PLTD.
1	PIN, SEAT	ST. STL. 300 SERIES	ST. STL. 300 SERIES
1	SEAT	DELTRIN	DELTRIN
1	PIN, BONNET	ST. STL. 300 SERIES	ST. STL. 300 SERIES
1	O-RING	BUNA-N	BUNA-N
2	BACK-UP RING	TEFLON	TEFLON
1	BONNET	STAINLESS STEEL TY316	CARBON STEEL, ZINC PLTD.
1	STEM	ST. STL. 17-4 PH	ST. STL. 17-4 PH
1	DUST COVER	POLYETHYLENE	POLYETHYLENE
1	CAP SCREW	ST. STL. 300 SERIES	CARBON STEEL, ZINC PLTD.
1	HANDLE	ST. STL. 300 SERIES	CARBON STEEL, ZINC PLTD.
1	PACKING	TEFLON	TEFLON
1	GLAND	STAINLESS STEEL TY316	CARBON STEEL, ZINC PLTD.
1	PACKNUT	STAINLESS STEEL TY316	CARBON STEEL, ZINC PLTD.
1	DISC. ASSY.	ST. STL. 300 SERIES	ST. STL. 300 SERIES
1	WASHER	ST. STL. 300 SERIES	ST. STL. 300 SERIES
1	RETAIN RING	ST. STL. 300 SERIES	ST. STL. 300 SERIES

ORDERING INFORMATION

PART NUMBER	PACKING	BODY TYPE	MATERIAL	CONNECTIONS
14A0111	O-RING	GLOBE FxF	CARBON STEEL	3/4" NPT
14B0111	TEFLON			
14A5111	O-RING	GLOBE MxF	STAINLESS STEEL	
14B5111	TEFLON			
14A0511	O-RING	GLOBE FxF	STAINLESS STEEL	
14B0511	TEFLON			
14A5511	O-RING	GLOBE MxF	STAINLESS STEEL	
14B5511	TEFLON			
14A0115	O-RING	GLOBE FxF	CARBON STEEL	1" NPT
14B0115	TEFLON			
14A5115	O-RING	GLOBE MxF	STAINLESS STEEL	
14B5115	TEFLON			
14A0515	O-RING	GLOBE FxF	STAINLESS STEEL	
14B0515	TEFLON			
14A5515	O-RING	GLOBE MxF	STAINLESS STEEL	
14B5515	TEFLON			

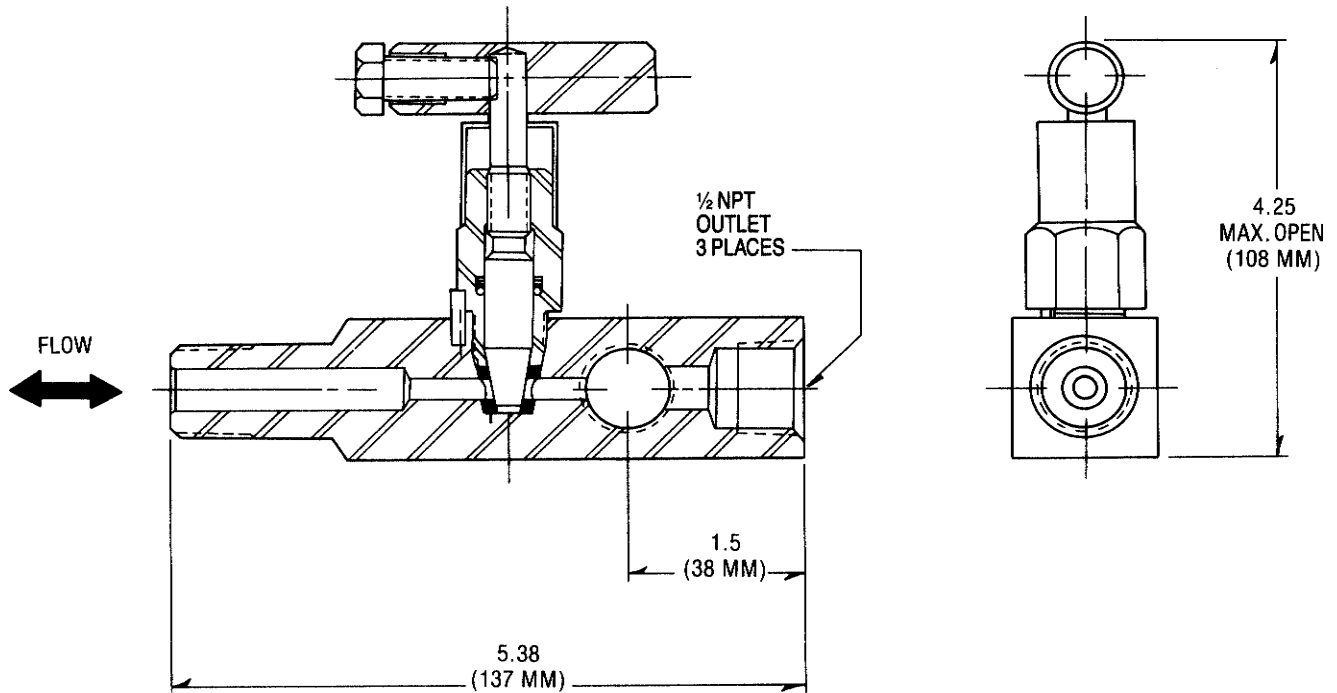
DRAGON VALVES, INC.

13457 EXCELSIOR DRIVE
P.O. BOX 489, NORWALK, CALIF.



MODEL 15A

GAGE VALVE SOFT SEAT



BILL OF MATERIALS

QTY. ASSY	PART NAME	MATERIAL & FINISH	
		STAINLESS STEEL	CARBON STEEL
1	BODY	STAINLESS STEEL TY316	CARBON STEEL, ZINC PLTD.
1	BONNET	STAINLESS STEEL TY316	CARBON STEEL, ZINC PLTD.
1	STEM	ST. STL. 17-4 PH	ST. STL. 17-4 PH
1	O-RING	BUNA-N (STANDARD)	BUNA-N (STANDARD)
1	BACK-UP RING	TEFLON	TEFLON
1	SEAT	DELTRIN	DELTRIN
1	PIN, SEAT	ST. STL. 300 SERIES	ST. STL. 300 SERIES
1	PIN, BONNET	ST. STL. 300 SERIES	ST. STL. 300 SERIES
1	HANDLE	ST. STL. 300 SERIES	CARBON STEEL, ZINC PLTD.
1	CAP SCREW	ST. STL. 300 SERIES	CARBON STEEL, ZINC PLTD.
1	DUST COVER	POLYETHYLENE	POLYETHYLENE

SPECIFICATIONS

OPERATING PRESSURE & TEMPERATURE:
6000 PSI AT 200°F
SERVICE: WATER, OIL, GAS
ORIFICE: .19 DIA. (5 MM)
.38 DIA. (9 MM) OPTIONAL
SUFFIX S

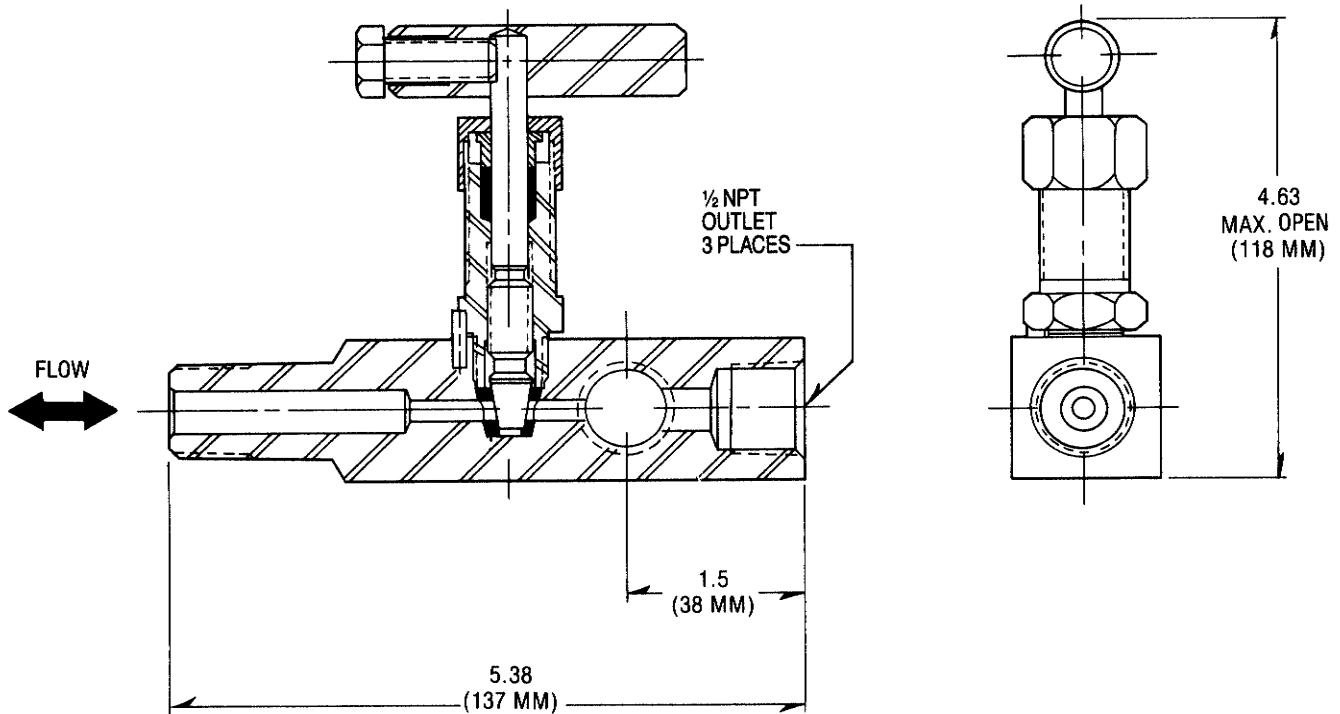
ORDERING INFORMATION

PART NUMBER	MATERIALS	CONNECTIONS	
		INLET	OUTLETS
15A177	CARBON STEEL	1/2 MALE NPT	1/2 FEMALE NPT
15A577	STAINLESS STEEL	NPT	
15A1117	CARBON STEEL	3/4 MALE NPT	NPT
15A5117	STAINLESS STEEL	NPT	



GAGE VALVE SOFT SEAT

MODEL 15B



BILL OF MATERIALS

QTY. ASSY	PART NAME	MATERIAL & FINISH	
		STAINLESS STEEL	CARBON STEEL
1	BODY	STAINLESS STEEL TY316	CARBON STEEL, ZINC PLTD.
1	BONNET	STAINLESS STEEL TY316	CARBON STEEL, ZINC PLTD.
1	STEM	ST. STL. 17-4 PH	ST. STL. 17-4 PH
1	PACKING NUT	STAINLESS STEEL TY316	CARBON STEEL, ZINC PLTD.
1	PACKING GLAND	STAINLESS STEEL TY316	CARBON STEEL, ZINC PLTD.
1	SEAT	DELKIN	DELKIN
1	PIN, SEAT	ST. STL. 300 SERIES	ST. STL. 300 SERIES
1	PIN, BONNET	ST. STL. 300 SERIES	ST. STL. 300 SERIES
1	HANDLE	ST. STL. 300 SERIES	CARBON STEEL, ZINC PLTD.
1	CAP SCREW	ST. STL. 300 SERIES	CARBON STEEL, ZINC PLTD.
1	PACKING	TEFLON	TEFLON

SPECIFICATIONS

OPERATING PRESSURE & TEMPERATURE:
6000 PSI AT 200°F
SERVICE: WATER, OIL, GAS
ORIFICE: .19 DIA. (5 MM)
.38 DIA. (9 MM) OPTIONAL
SUFFIX S

ORDERING INFORMATION

PART NUMBER	MATERIALS	CONNECTIONS	
		INLET	OUTLETS
15B177	CARBON STEEL	1/2 MALE NPT	1/2 FEMALE NPT
15B577	STAINLESS STEEL	1/2 MALE NPT	
15B1117	CARBON STEEL	3/4 MALE NPT	
15B5117	STAINLESS STEEL	3/4 MALE NPT	

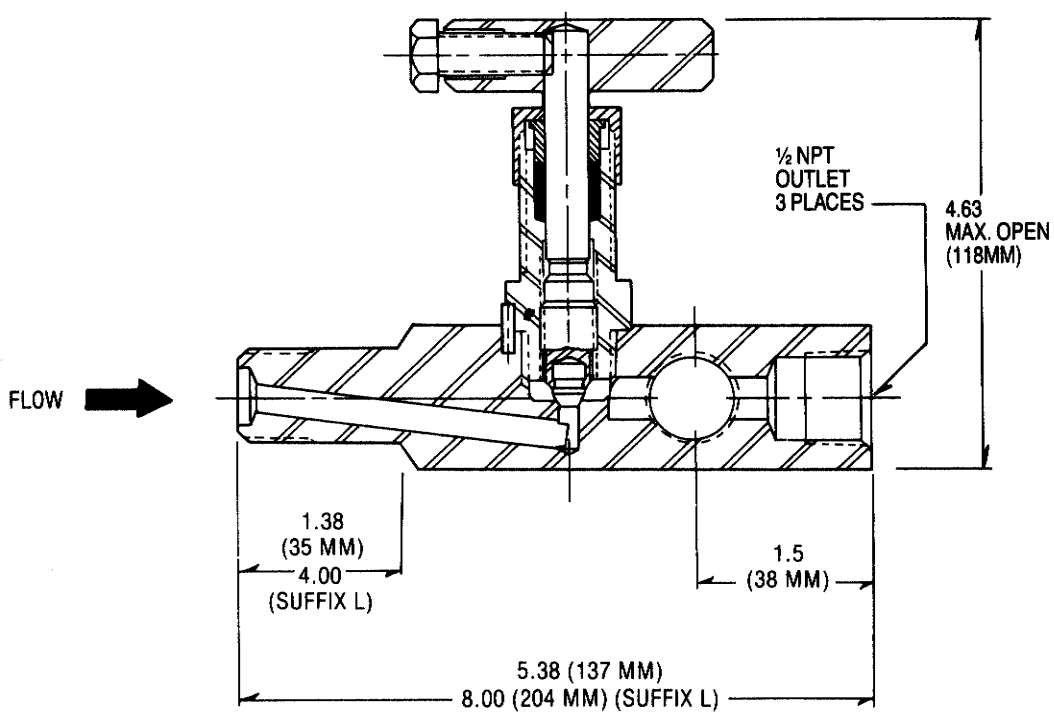
DRAGON VALVES, INC.

13457 EXCELSIOR DRIVE
P.O. BOX 489, NORWALK, CALIF.



MODEL 15C
MODEL 15T

GAGE VALVE SCREWED BONNET



SPECIFICATIONS

MATERIAL	PRESS	TEMP
STAINLESS STEEL	6000 PSI	200°F
	2000 PSI	850°F
CARBON STEEL	6000 PSI	200°F
	2000 PSI	750°F
MAX: TEMP. W/TEFLON PACKING: 500°F		

SERVICE: WATER, OIL, GAS
ORIFICE DIA.: .19 (5 MM)
AVAILABLE FOR SOUR GAS SERVICE TO NACE STD. MR-01-75, CONSULT FACTORY FOR MATERIAL SPEC.
AVAILABLE WITH WELD MALE END, CONSULT FACTORY.

ORDERING INFORMATION

PART NUMBER	MATERIAL	PACKING	INLET	OUTLET
15C177	CARBON STEEL	GRAFOIL	1/2 MNPT	1/2 FNPT
15C577	STAINLESS STEEL			
15T177	CARBON STEEL	TEFLON	3/4 MNPT	
15T577	STAINLESS STEEL			
15C1117	CARBON STEEL	GRAFOIL	1/2 MNPT LONG	
15C5117	STAINLESS STEEL			
15T1117	CARBON STEEL	TEFLON	3/4 MNPT LONG	
15T5117	STAINLESS STEEL			
15C177L	CARBON STEEL	GRAFOIL	1/2 MNPT LONG	
15C577L	STAINLESS STEEL			
15T177L	CARBON STEEL	TEFLON	3/4 MNPT LONG	
15T577L	STAINLESS STEEL			
15C1117L	CARBON STEEL	GRAFOIL	3/4 MNPT LONG	
15C5117L	STAINLESS STEEL			
15T1117L	CARBON STEEL	TEFLON	3/4 MNPT LONG	
15T5117L	STAINLESS STEEL			

BILL OF MATERIALS

QTY. ASSY	PART NAME	MATERIAL & FINISH	
		STAINLESS STEEL	CARBON STEEL
1	BODY	STAINLESS STEEL TY316	CARBON STEEL ZINC PLTD.
1	BONNET	STAINLESS STEEL TY316	CARBON STEEL ZINC PLTD.
1	• SHANK	ST. STL. 17-4 PH	ST. STL. 17-4 PH
1	• DISC	ST. STL. 17-4 PH	ST. STL. 17-4 PH
1	STEM ASSY.	CONSISTS OF ITEMS •	
1	PACKING NUT	STAINLESS STEEL TY316	CARBON STEEL ZINC PLTD.
1	PACKING GLAND	STAINLESS STEEL TY316	CARBON STEEL ZINC PLTD.
1	HANDLE	ST. STL. 300 SERIES	CARBON STEEL ZINC PLTD.
1	CAP SCREW	ST. STL. 300 SERIES	CARBON STEEL ZINC PLTD.
1	PACKING	AS ORDERED	AS ORDERED
1	PIN	ST. STL. 300 SERIES	ST. STL. 300 SERIES

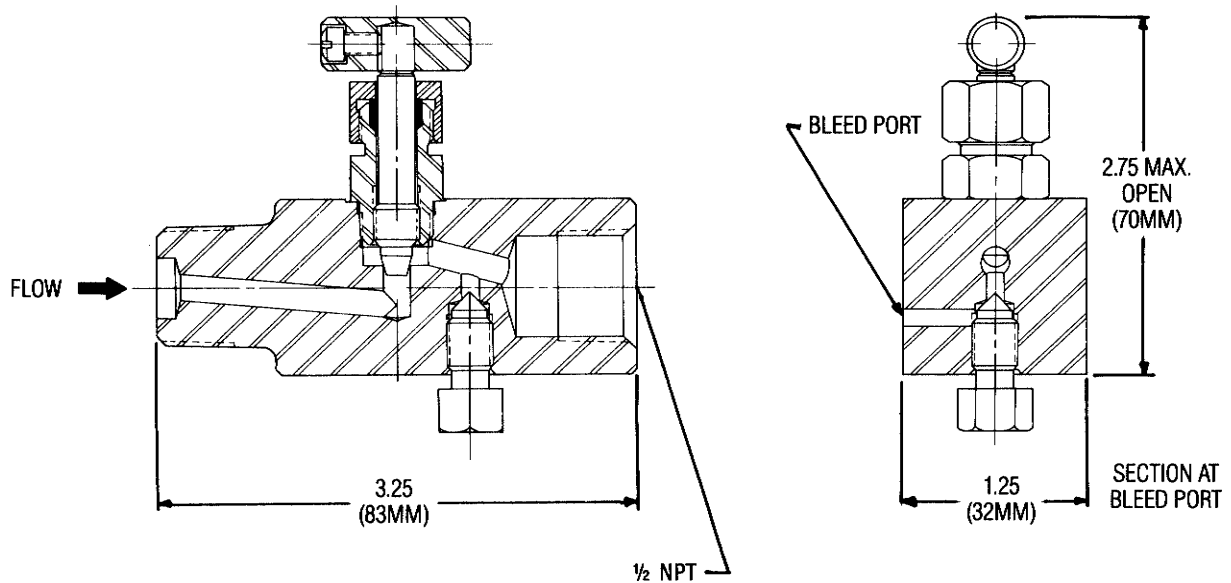
DRAGON VALVES, INC.

13457 EXCELSIOR DRIVE
P.O. BOX 489, NORWALK, CALIF.



MODEL 7715

GAGE VALVE WITH INTEGRAL BLEED VALVE



SPECIFICATIONS

MATERIAL	PRESS	TEMP
STAINLESS STEEL	6000 PSI	200 °F
CARBON STEEL	6000 PSI	200 °F
SERVICE: WATER, OIL, GAS		

MAX TEMP. 500F
MAX TEMP. KEL-F SEAT 350F

BILL OF MATERIALS

QTY	PART NAME	MATERIAL & FINISH	
		STAINLESS STL.	CARBON STEEL
1	BODY	STAINLESS STL. 316	CARBON STEEL, ZINC PLTD.
1	BONNET	STAINLESS STL. 316	STAINLESS STL. 316
1	STEM ASSY.	STAINLESS STL. 316	STAINLESS STL. 316
1	PACKING NUT	ST. STL. 300 SERIES	ST. STL. 300 SERIES
1	BLEED VALVE	STAINLESS STL. 316	STAINLESS STL. 316
1	HANDLE	ST. STL. 300 SERIES	ST. STL. 300 SERIES
1	SET SCREW	ST. STL. 300 SERIES	ST. STL. 300 SERIES
2	PACKING	TEFLON	TEFLON

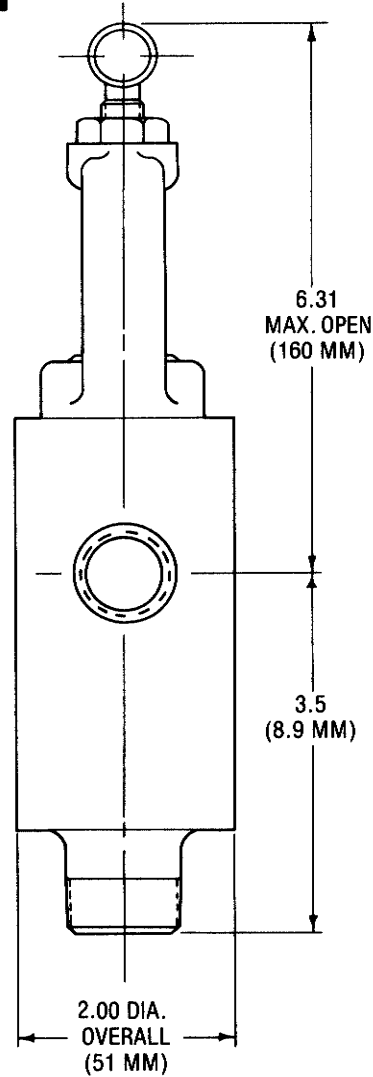
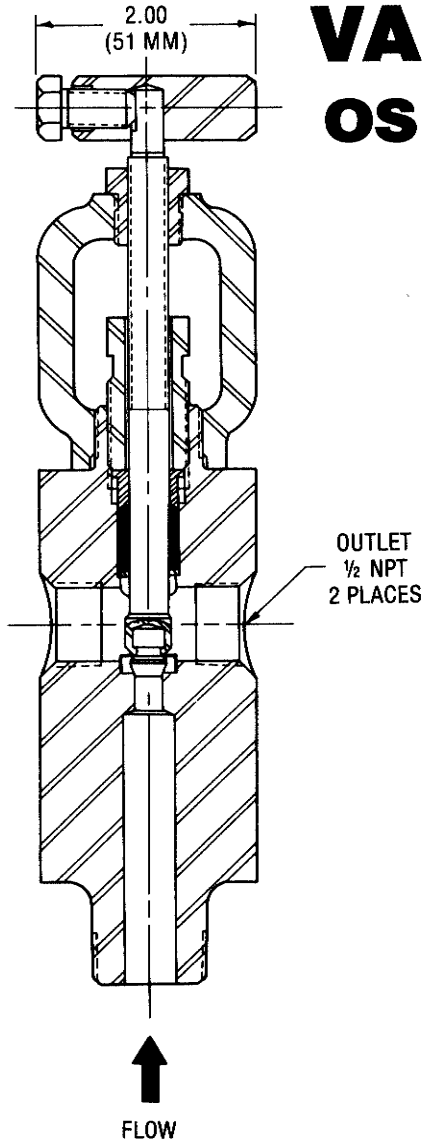
ORDERING INFORMATION

PART NO.	MATERIAL	CONNECTIONS		SEAT
		INLET	OUTLET	
771517	CARBON STEEL	1/2 MALE NPT	1/2 FEMALE NPT	METAL
771557	STAINLESS STL.			
7715111	CARBON STEEL	3/4 MALE NPT		
7715511	STAINLESS STL.	3/4 MALE NPT		
771517K	CARBON STEEL	1/2 MALE NPT		KEL-F
771557K	STAINLESS STL.	1/2 MALE NPT		
7715111K	CARBON STEEL	3/4 MALE NPT		
7715511K	STAINLESS STL.	3/4 MALE NPT		



MODEL 17

ORIFICE GAGE VALVE OS & Y



SPECIFICATIONS

MATERIAL	PRESS	TEMP
STAINLESS STEEL	6000 PSI	200°F
STAINLESS STEEL	2000 PSI	850°F
CARBON STEEL	6000 PSI	200°F
CARBON STEEL	2000 PSI	750°F

SERVICE: GENERAL, WATER, OIL, GAS
ORIFICE: .250 DIA. (6MM)
AVAILABLE WITH WELD MALE END,
CONSULT FACTORY.

BILL OF MATERIALS

QTY. ASSY	PART NAME	MATERIAL/FINISH	
		STAINLESS STEEL	CARBON STEEL
1	BODY	STAINLESS STEEL 316	CARBON STEEL, ZINC PLTD.
1	• DISC	ST. STL. 17-4 PH	ST. STL. 17-4 PH
1	• SHANK	ST. STL. 17-4 PH	ST. STL. 17-4 PH
1	STEM ASSEMBLY	CONSISTS OF ITEMS •	
1	WASHER	ST. STL. 300 SERIES	CARBON STEEL, ZINC PLTD.
1	PACKING	GRAFOIL	GRAFOIL
1	PACKING GLAND	STAINLESS STEEL 316	CARBON STEEL, ZINC PLTD.
1	PACKING FOLLOWER	STAINLESS STEEL 316	STAINLESS STEEL 316
1	YOKE	STAINLESS STEEL 316	CARBON STEEL, ZINC PLTD.
1	BUSHING	STAINLESS STEEL 416	STAINLESS STEEL 416
1	HANDLE	ST. STL. 300 SERIES	CARBON STEEL, ZINC PLTD.
1	CAP SCREW	ST. STL. 300 SERIES	CARBON STEEL, ZINC PLTD.

ORDERING INFORMATION

PART NUMBER	MATERIAL	CONNECTIONS		PACKING
		INLET	OUTLET	
1717	CARBON STEEL	1/2 MNPT	1/2 FNPT	GRAFOIL
1757	STAINLESS STEEL			
17111	CARBON STEEL	3/4 MNPT		
17511	STAINLESS STEEL			

DRAGON VALVES, INC.

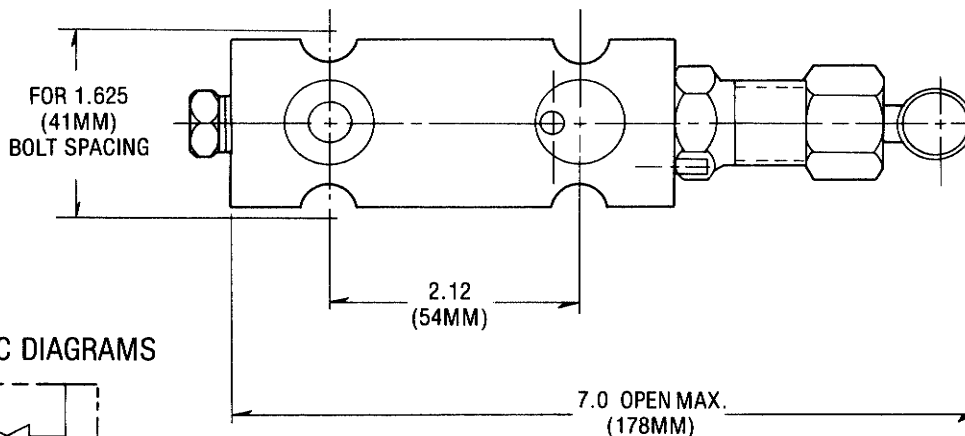
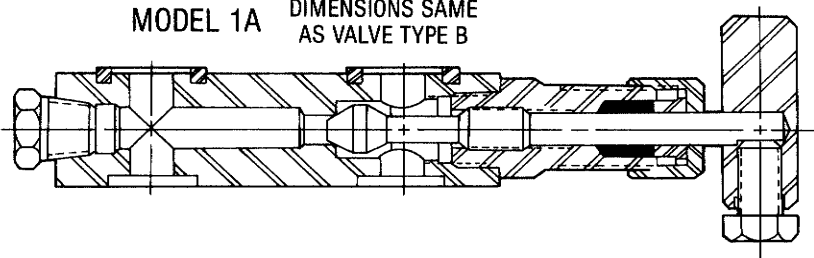
13457 EXCELSIOR DRIVE
P.O. BOX 489, NORWALK, CALIF.

MODEL 1A
MODEL 1B

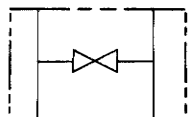
1 VALVE MANIFOLD



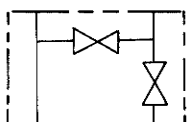
MODEL 1A DIMENSIONS SAME AS VALVE TYPE B



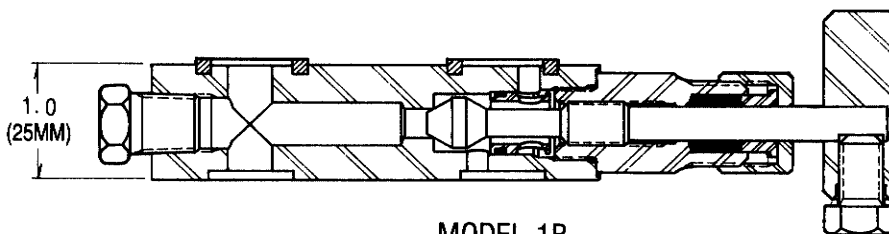
SCHEMATIC DIAGRAMS



MODEL 1A BY-PASS



MODEL 1B BY-PASS OR ONE MAIN LINE BLOCKED



MODEL 1B

BILL OF MATERIALS

QTY ASSY	PART NAME	STAINLESS STEEL	CARBON STEEL	BRASS
1	BODY	ST. STL. TY316	CARBON STEEL, ZINC PLTD.	BRASS
1	STEM	ST. STL. 17-4 PH	ST. STL. 17-4 PH	ST. STL. 17-4 PH
1	BONNET	ST. STL. TY 316	CARBON STEEL, ZINC PLTD.	BRASS
1	PACKING	TEFLON	TEFLON	TEFLON
1	GLAND	ST. STL. TY 316	CARBON STEEL, ZINC PLTD.	BRASS
1	PACK NUT	ST. STL. TY316	CARBON STEEL, ZINC PLTD.	BRASS
1	HANDLE	ST. STL. 300 SER.	CARBON STEEL, ZINC PLTD.	CARBON STEEL, ZINC PLTD.
1	CAP SCREW	ST. STL. 300 SER.	CARBON STEEL, ZINC PLTD.	CARBON STEEL, ZINC PLTD.
1	PIN	ST. STL. 300 SER.	ST. STL. 300 SER.	ST. STL. 300 SER.
1	BUSHING	ST. STL. TY316	ST. STL. TY316	ST. STL. TY316
1	O-RING	TEFLON	TEFLON	TEFLON
2	GASKET	TEFLON	TEFLON	TEFLON
1	PLUG	ST. STL. TY 316	CARBON STEEL, ZINC PLTD.	BRASS
4	HEX BOLT	ST. STL. 300 SER.	CARBON STEEL, ZINC PLTD.	CARBON STEEL, ZINC PLTD.

SPECIFICATIONS

MATERIAL	PRESS	TEMP
STEEL	6000 PSI	200°F
BRASS	3000 PSI	200°F

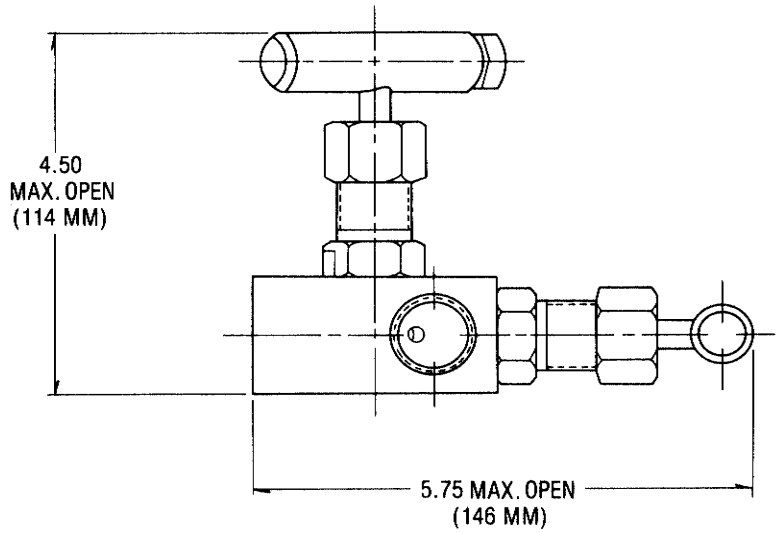
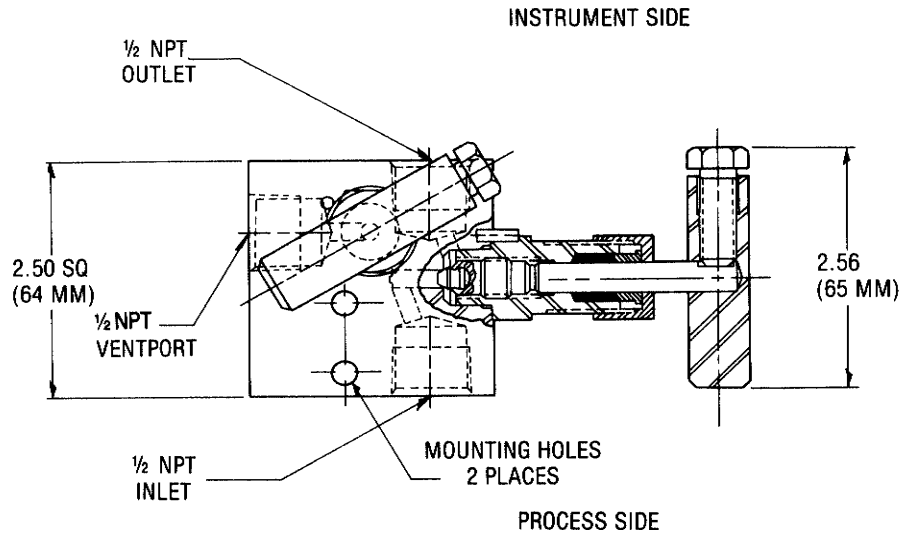
SERVICE: WATER, OIL, GAS

ORDERING INFORMATION

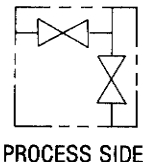
PART NUMBER	MATERIAL	VALVE TYPE
1A0	BRASS	BY-PASS ONLY
1A1	CARBON STEEL	
1A5	STAINLESS STEEL	
1B0	BRASS	BY-PASS OR ONE MAIN LINE BLOCKED
1B1	CARBON STEEL	
1B5	STAINLESS STEEL	



2 VALVE MANIFOLD MODEL 2H



SCHEMATIC DIAGRAM
INSTRUMENT SIDE



BILL OF MATERIALS

QTY. ASSY	PART NAME	MATERIAL & FINISH		
		STAINLESS STEEL	CARBON STEEL	BRASS
1	BODY	ST. STL. TY316	CARBON STEEL, ZINC PLTD.	BRASS
2	• DISC	ST. STL. 17-4 PH	ST. STL. 17-4 PH	ST. STL. 17-4 PH
2	• SHANK	ST. STL. 17-4 PH	ST. STL. 17-4 PH	ST. STL. 17-4 PH
2	STEM ASSEMBLY CONSISTS OF ITEMS •			
2	PIN	ST. STL. 300 SERIES	ST. STL. 300 SERIES	ST. STL. 300 SERIES
2	BONNET	ST. STL. TY316	CARBON STEEL, ZINC PLTD.	BRASS
2	PACKING	AS ORDERED	AS ORDERED	AS ORDERED
2	GLAND	ST. STL. TY316	CARBON STEEL, ZINC PLTD.	BRASS
2	PACKNUT	ST. STL. TY316	CARBON STEEL, ZINC PLTD.	BRASS
2	CAP SCREW	ST. STL. 300 SERIES	CARBON STEEL, ZINC PLTD.	CARBON STEEL, ZINC PLTD.
2	HANDLE	ST. STL. 300 SERIES	CARBON STEEL, ZINC PLTD.	CARBON STEEL, ZINC PLTD.

SPECIFICATIONS

MATERIAL	PRESS	TEMP
BRASS	3000 PSI	200°F
STAINLESS STEEL	6000 PSI	200°F
	2000 PSI	850°F
CARBON STEEL	6000 PSI	200°F
	2000 PSI	750°F
MAX. TEMP. W/TEFLON PACKING: 500°F		

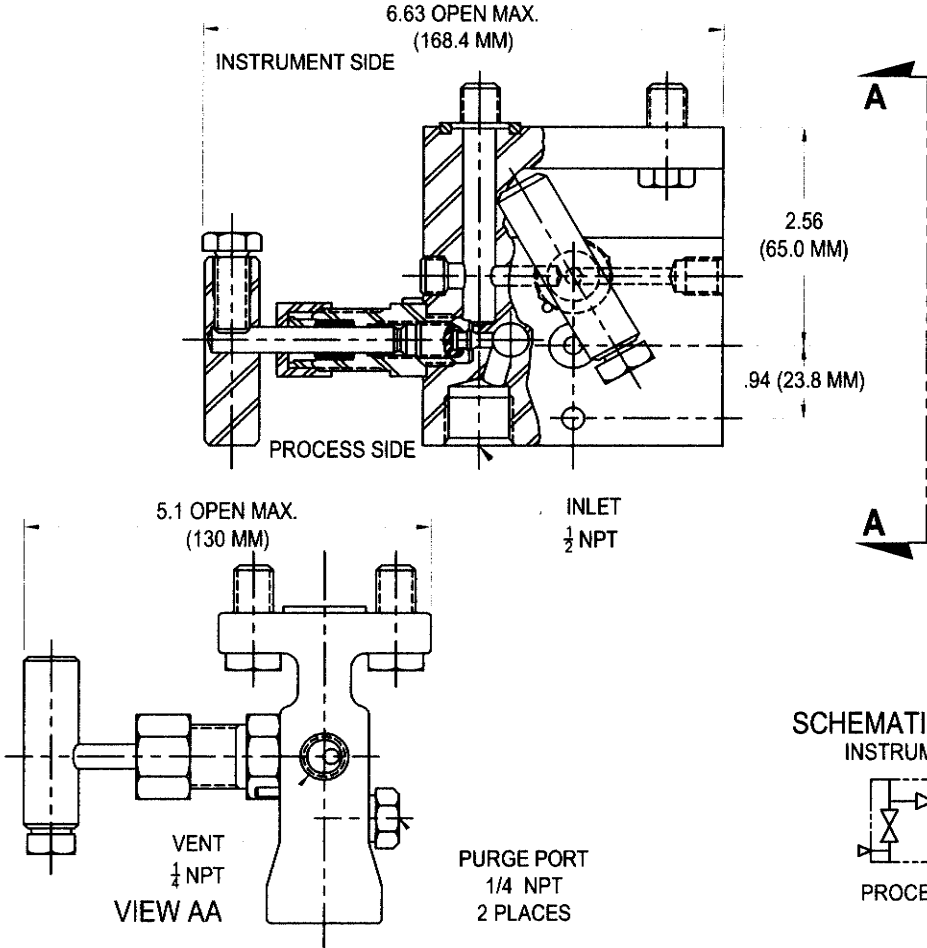
SERVICE: WATER, OIL, GAS
ORIFICE: .19 DIA. (5 MM)

ORDERING INFORMATION

PART NUMBER	MATERIAL	PACKING	CONN
2HC17	CARBON STEEL	GRAFOIL	1/2 NPT
2HC57	STAINLESS STEEL		
2HT07	BRASS	TEFLON	
2HT17	CARBON STEEL		
2HT57	STAINLESS STEEL		

MODEL 2F

2 VALVE MANIFOLD SINGLE FLANGE



BILL OF MATERIALS

QTY ASST	PART NAME	STAINLESS STEEL	CARBON STEEL
1	BODY	STAINLESS STEEL TY316	CARBON STEEL, ZINC PLTD.
2	• DISC	ST. STL. 17-4 PH	ST. STL. 17-4 PH
2	• SHANK	ST. STL. 17-4 PH	ST. STL. 17-4 PH
2	STEM ASSY	CONSISTS OF ITEM •	
2	BONNET	STAINLESS STEEL TY316	CARBON STEEL, ZINC PLTD.
2	PACKING	AS ORDERED	AS ORDERED
2	GLAND	STAINLESS STEEL TY316	CARBON STEEL, ZINC PLTD.
2	PACKNUT	STAINLESS STEEL TY316	CARBON STEEL, ZINC PLTD.
2	HANDLE	ST. STL. 300 SERIES	CARBON STEEL, ZINC PLTD.
2	CAP SCREW	ST. STL. 300 SERIES	CARBON STEEL, ZINC PLTD.
2	PIN	ST. STL. 300 SERIES	ST. STL. 300 SERIES
4	PLUG	STAINLESS STEEL TY316	CARBON STEEL, ZINC PLTD.
4	BOLT	ST. STL. 300 SERIES	CARBON STEEL, ZINC PLTD.
2	GASKET	TEFLON	TEFLON

SPECIFICATIONS

MATERIAL	PRESS	TEMP
STAINLESS STEEL	6000 PSI	200°F
	2000 PSI	850°F
CARBON STEEL	6000 PSI	200°F
	2000 PSI	750°F

MAX. TEMP. W/TEFLON PACKING: 500°F

SERVICE: WATER, OIL, GAS
ORIFICE: .19 DIA (5MM)

ORDERING INFORMATION

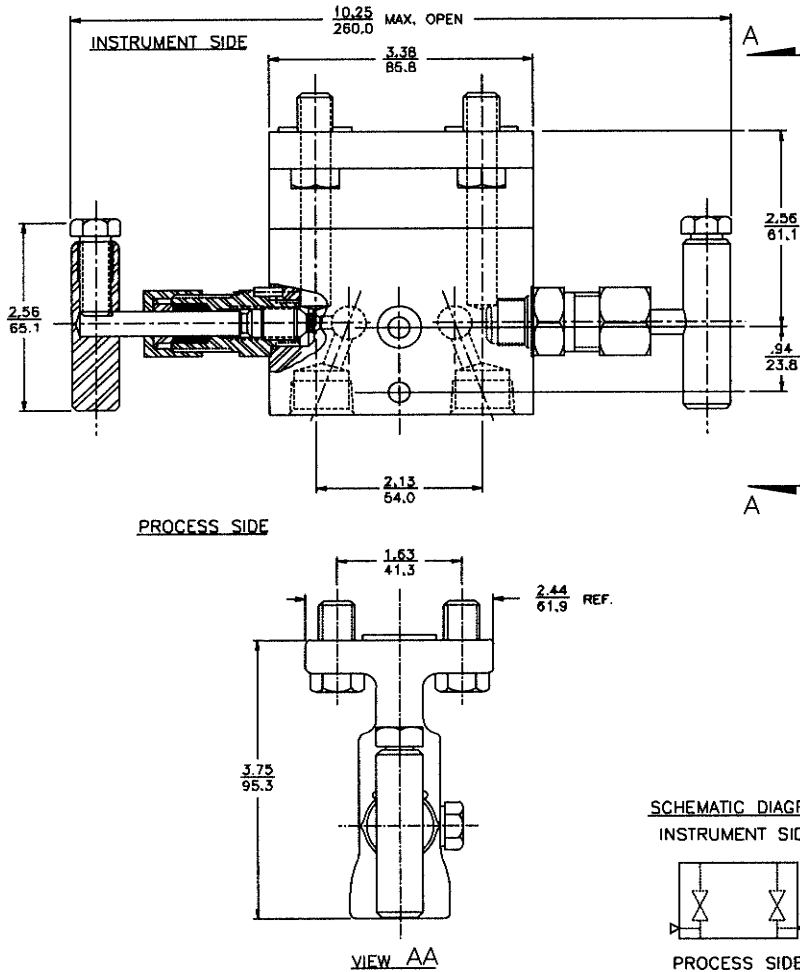
PART NUMBER	MATERIAL	PACKING	CONNECTIONS	
			INLET	OUTLET
2FC17	CARBON STEEL	GRAFOIL	1/2 FNPT	FLANGED
2FC57	STAINLESS STEEL			
2FT17	CARBON STEEL	TEFLON	1/2 FNPT	FLANGED
2FT57	STAINLESS STEEL			

DRAGON VALVES, INC.

www.dragonvalves.com

MODEL 22F

2 VALVE MANIFOLD SINGLE FLANGE



BILL OF MATERIALS

QTY ASST	PART NAME	STAINLESS STEEL	CARBON STEEL
1	BODY	STAINLESS STEEL TY316	CARBON STEEL, ZINC PLTD.
2	• DISC	ST. STL. 17-4 PH	ST. STL. 17-4 PH
2	• SHANK	ST. STL. 17-4 PH	ST. STL. 17-4 PH
2	STEM ASSY	CONSISTS OF ITEM •	
2	BONNET	STAINLESS STEEL TY316	CARBON STEEL, ZINC PLTD.
2	PACKING	AS ORDERED	AS ORDERED
2	GLAND	STAINLESS STEEL TY316	CARBON STEEL, ZINC PLTD.
2	PACKNUT	STAINLESS STEEL TY316	CARBON STEEL, ZINC PLTD.
2	HANDLE	ST. STL. 300 SERIES	CARBON STEEL, ZINC PLTD.
2	CAP SCREW	ST. STL. 300 SERIES	CARBON STEEL, ZINC PLTD.
2	PIN	ST. STL. 300 SERIES	ST. STL. 300 SERIES
4	PLUG	STAINLESS STEEL TY316	CARBON STEEL, ZINC PLTD.
4	BOLT	ST. STL. 300 SERIES	CARBON STEEL, ZINC PLTD.
2	GASKET	TEFLON	TEFLON

SPECIFICATIONS

MATERIAL	PRESS	TEMP
STAINLESS STEEL	6000 PSI	200°F
	2000 PSI	850°F
CARBON STEEL	6000 PSI	200°F
	2000 PSI	750°F

MAX. TEMP. W/TEFLON PACKING: 500°F

SERVICE: WATER, OIL, GAS
ORIFICE: .19 DIA (5MM)

ORDERING INFORMATION

PART NUMBER	MATERIAL	PACKING	CONNECTIONS	
			INLET	OUTLET
22FC17	CARBON STEEL	GRAFOIL	½ FNPT	FLANGED
22FC57	STAINLESS STEEL			
22FT17	CARBON STEEL	TEFLON	½ FNPT	FLANGED
22FT57	STAINLESS STEEL			

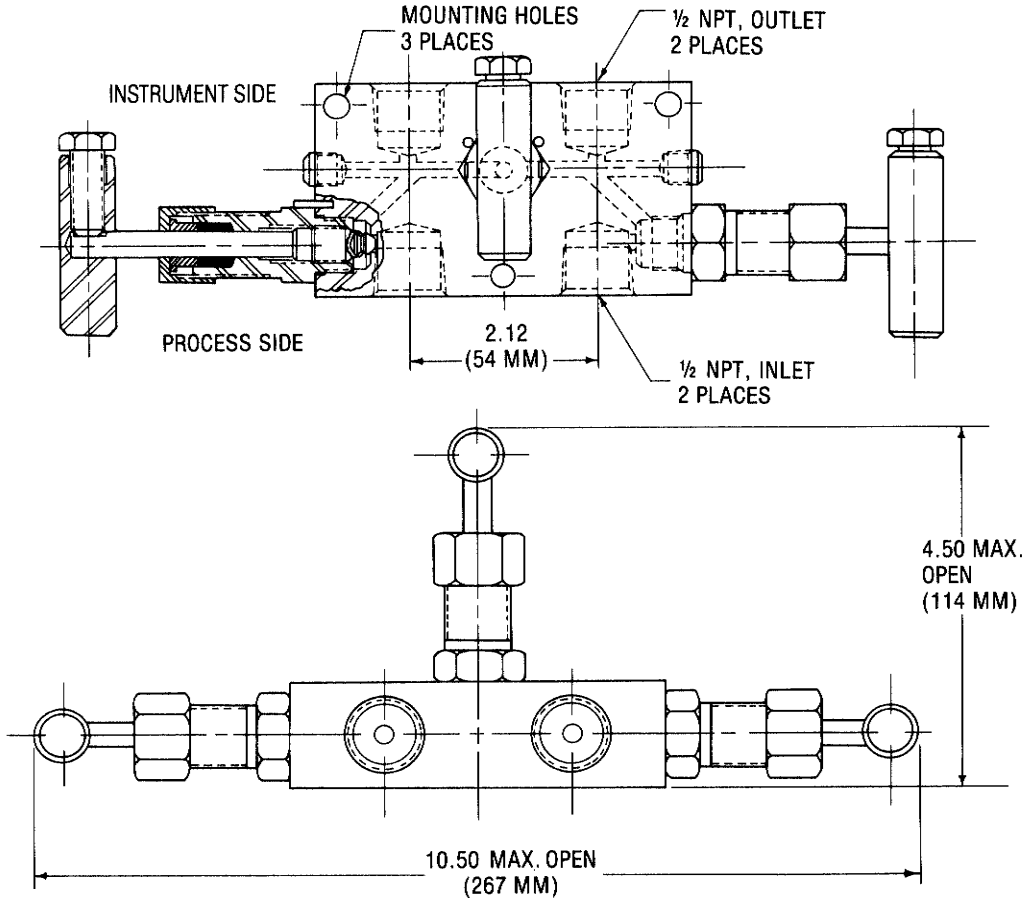
DRAGON VALVES, INC.

www.dragonvalves.com



MODEL 3H

3 VALVE MANIFOLD



SPECIFICATIONS

MATERIAL	PRESS	TEMP
BRASS	3000 PSI	200°F
STAINLESS STEEL	6000 PSI	200°F
	2000 PSI	850°F
CARBON STEEL	6000 PSI	200°F
	2000 PSI	750°F

MAX. TEMP. W/TEFLON PACKING: 500°F

SERVICE: WATER, OIL, GAS
ORIFICE: .19 DIA (5MM)

ORDERING INFORMATION

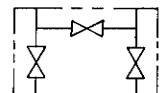
PART NUMBER	MATERIAL	PACKING	CONNECTIONS
3HC17	CARBON STEEL	GRAFOIL	1/2 NPT
3HC57	STAINLESS STEEL		
3HT07	BRASS	TEFLON	
3HT17	CARBON STEEL		
3HT57	STAINLESS STEEL		

BILL OF MATERIALS

QTY ASSY	PART NAME	MATERIAL & FINISH		
		STAINLESS STEEL	CARBON STEEL	BRASS
1	BODY	ST. STL. TY 316	CARBON STEEL, ZINC PLTD.	BRASS
3	• DISC	ST. STL. 17-4 PH	ST. STL. 17-4 PH	ST. STL. 17-4 PH
3	• SHANK	ST. STL. 17-4 PH	ST. STL. 17-4 PH	ST. STL. 17-4 PH
3	STEM ASSY.	CONSISTS OF ITEMS •		
3	BONNET	ST. STL. TY 316	CARBON STEEL, ZINC PLTD.	BRASS
3	PACKING	AS ORDERED	AS ORDERED	TEFLON
3	GLAND	ST. STL. TY 316	CARBON STEEL, ZINC PLTD.	BRASS
3	PACKNUT	ST. STL. TY 316	CARBON STEEL, ZINC PLTD.	BRASS
2	PLUG	ST. STL. TY 316	CARBON STEEL, ZINC PLTD.	BRASS
3	PIN	ST. STL. 300 SERIES	ST. STL. 300 SERIES	ST. STL. 300 SERIES
3	HANDLE	ST. STL. 300 SERIES	CARBON STEEL, ZINC PLTD.	CARBON STEEL, ZINC PLTD.
3	CAP SCREW	ST. STL. 300 SERIES	CARBON STEEL, ZINC PLTD.	CARBON STEEL, ZINC PLTD.

SCHEMATIC DIAGRAM

INSTRUMENT SIDE

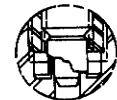
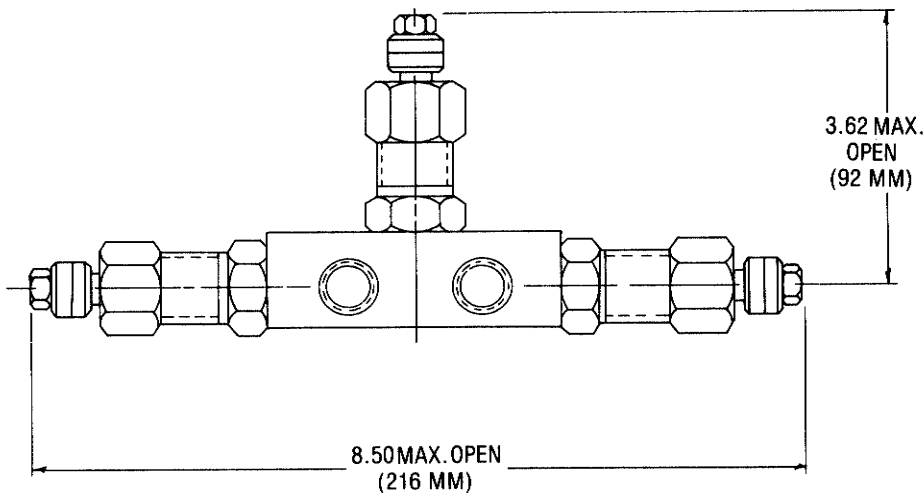
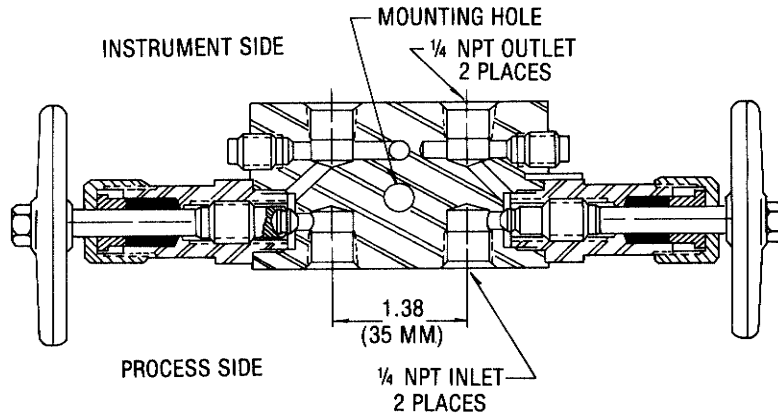


PROCESS SIDE



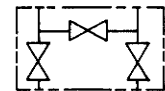
3 VALVE MINI MANIFOLD

MODEL 3M



SEAT K OR N
SOFT SEAT

SCHEMATIC DIAGRAM
INSTRUMENT SIDE



PROCESS SIDE

SPECIFICATIONS

SERVICE: WATER, OIL, GAS
ORIFICE DIA.: .19 (5 MM)

MATERIAL	PRESS	TEMP
BRASS	3000 PSI	200°F
STAINLESS STEEL	6000 PSI	200°F
	2000 PSI	850°F
CARBON STEEL	6000 PSI	200°F
	2000 PSI	750°F
MAX. TEMP.: W/NYLON SEAT		200°F
W/KEL-F SEAT		350°F
W/TEFLON PACKING		500°F

BILL OF MATERIALS

QTY ASSY	PART NAME	MATERIAL & FINISH		
		STAINLESS STEEL	CARBON STEEL	BRASS
1	BODY	ST. STL. TY 316	CARB. STEEL, ZINC PLT.	BRASS
3	• SHANK	ST. STL. 17-4 PH	ST. STL. 17-4 PH	ST. STL. 17-4 PH
3	• DISC	ST. STL. 17-4 PH	ST. STL. 17-4 PH	ST. STL. 17-4 PH
3	STEM ASSY	CONSISTS OF ITEMS •		
3	BONNET	ST. STL. TY 316	CARB. STEEL, ZINC PLT.	BRASS
3	PACKNUT	ST. STL. TY 316	CARB. STEEL, ZINC PLT.	BRASS
3	GLAND	ST. STL. TY 316	CARB. STEEL, ZINC PLT.	BRASS
2	PLUG	ST. STL. TY 316	CARB. STEEL, ZINC PLT.	BRASS
3	HANDLE	ZAMAK	ZAMAK	ZAMAK
3	NUT	CARB. STL. CAD. PLT.	CARB. STEEL, ZINC PLT.	CARB. STEEL, ZINC PLT.
3	PIN	ST. STL. 300 SERIES	ST. STL. 300 SERIES	ST. STL. 300 SERIES
3	SEAT	AS ORDERED	AS ORDERED	AS ORDERED
3	PACKING	AS ORDERED	AS ORDERED	AS ORDERED

ORDERING INSTRUCTIONS

PART NO. EXAMPLE 3M H C 5 3

SEAT		PACKING		MATERIALS		CONNECTIONS	
H	HARD SEAT	C	GRAFOIL	0	BRASS	3	1/4 NPT
K	SOFT SEAT KEL-F			1	CARBON STEEL		
N	SOFT SEAT NYLON	T	TEFLON	5	STAINLESS STEEL		

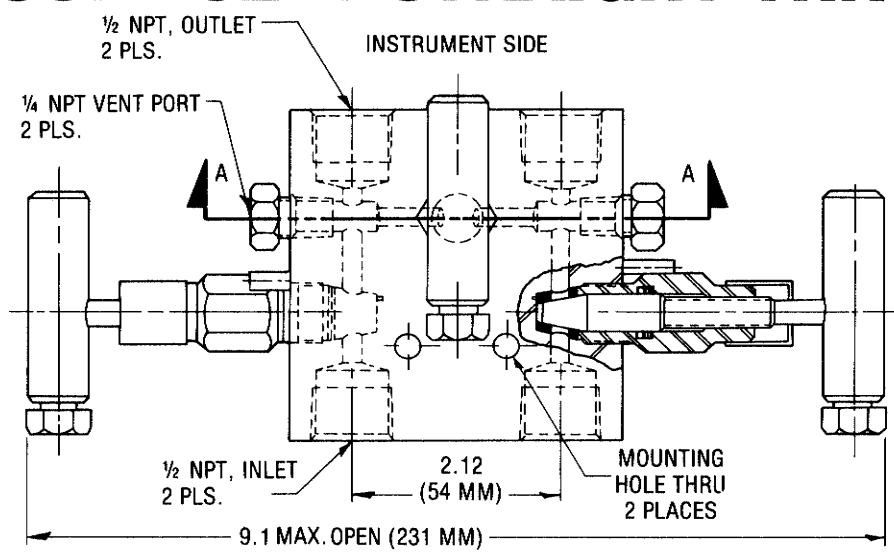
DRAGON VALVES, INC.

13457 EXCELSIOR DRIVE
P.O. BOX 489, NORWALK, CALIF.

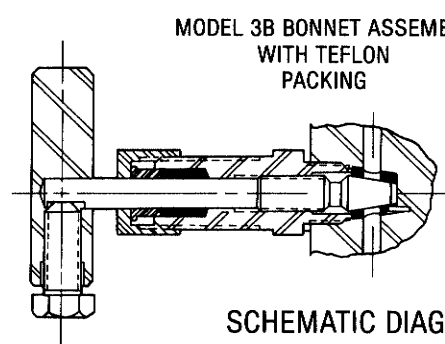
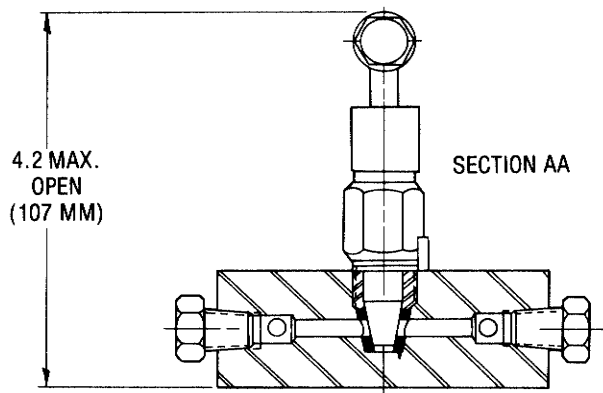


MODEL 3A
MODEL 3B

3 VALVE MANIFOLD SOFT SEAT STRAIGHT THRU

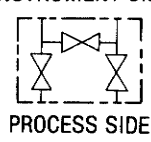


MODEL 3A
BONNET ASSEMBLY
WITH O-RING
STEM SEAL



MODEL 3B BONNET ASSEMBLY
WITH TEFLON
PACKING

SCHEMATIC DIAGRAM
INSTRUMENT SIDE



BILL OF MATERIALS

QTY. ASSY	PART NUMBER	MATERIAL & FINISH	
		STAINLESS STEEL	CARBON STEEL
1	BODY	STAINLESS STEEL TY316	CARBON STEEL, ZINC PLTD.
3	BONNET	STAINLESS STEEL TY316	CARBON STEEL, ZINC PLTD.
3	PIN. LOCK	ST. STL. 300 SERIES	ST. STL. 300 SERIES
3	STEM	ST. STL. 17-4 PH	ST. STL. 17-4 PH
3	DUST CAP	POLYETHYLENE	POLYETHYLENE
3	HANDLE	ST. STL. 300 SERIES	CARBON STEEL, ZINC PLTD.
3	CAP SCREW	ST. STL. 300 SERIES	CARBON STEEL, ZINC PLTD.
3	PIN	ST. STL. 300 SERIES	ST. STL. 300 SERIES
3	O-RING	BUNA N	BUNA N
3	B-U RING	TEFLON	TEFLON
3	SEAT	DELTRIN	DELTRIN
2	PLUG	STAINLESS STEEL TY316	CARBON STEEL, ZINC PLTD.
3	PACKING	TEFLON	TEFLON
3	PACK. GLAND	STAINLESS STEEL TY316	CARBON STEEL, ZINC PLTD.
3	PACK. NUT	STAINLESS STEEL TY316	CARBON STEEL, ZINC PLTD.

SPECIFICATIONS

OPERATING PRESSURE:
6000 PSI AT 200°F
SERVICE: WATER, OIL, GAS
ORIFICE: .19 DIA. (5 MM)

ORDERING INFORMATION

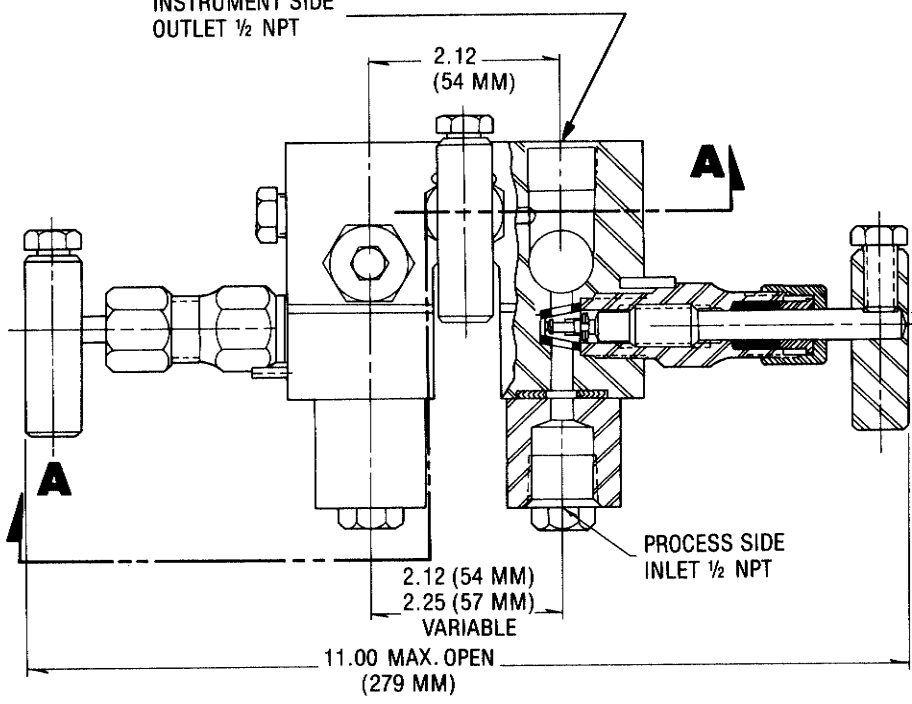
PART NUMBER	MATERIAL	PACKING	CONNECTIONS
3A17	CARBON STEEL	O-RING	1/2 NPT
3A57	STAINLESS STEEL		
3B17	CARBON STEEL	TEFLON	
3B57	STAINLESS STEEL		



3 VALVE MANIFOLD STRAIGHT THRU RODABLE WITH UNIVERSAL MOUNTING

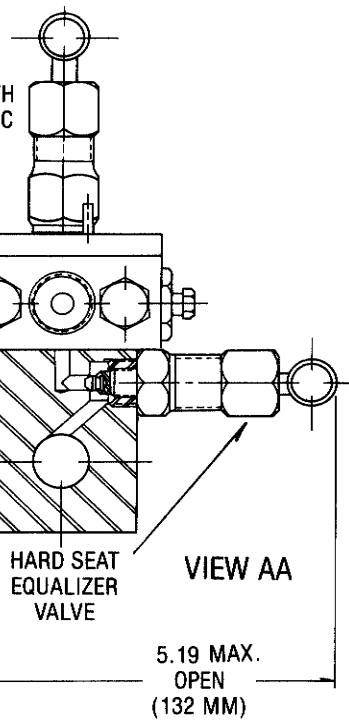
MODEL 3BP

INSTRUMENT SIDE
OUTLET 1/2 NPT



BLOCK VALVE WITH
NONROTATING DISC
AND SOFT SEAT

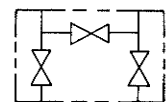
1/2 NPT
ALTERNATE
OUTLET



BILL OF MATERIALS

QTY. ASSY	PART NAME	MATERIAL & FINISH	
		STAINLESS STEEL	CARBON STEEL
1	BODY	STAINLESS STEEL TY316	CARBON STEEL, ZINC PLTD.
2	PIN, SEAT	ST. STL. 300 SERIES	ST. STL. 300 SERIES
2	DISC ASSY.	ST. STL. 300 SERIES	ST. STL. 300 SERIES
2	SEAT	DELKIN	DELKIN
2	PLUG	STAINLESS STEEL TY316	CARBON STEEL, ZINC PLTD.
3	PIN, BONNET	ST. STL. 300 SERIES	ST. STL. 300 SERIES
2	BONNET	STAINLESS STEEL TY316	CARBON STEEL, ZINC PLTD.
3	PACKING	TEFLON	TEFLON
3	GLAND	STAINLESS STEEL TY316	CARBON STEEL, ZINC PLTD.
3	PACKNUT	STAINLESS STEEL TY316	CARBON STEEL, ZINC PLTD.
2	STEM	ST. STL. 17-4 PH	ST. STL. 17-4 PH
3	CAP SCREW	ST. STL. 300 SERIES	CARBON STEEL, ZINC PLTD.
3	HANDLE	ST. STL. 300 SERIES	CARBON STEEL, ZINC PLTD.
2	GASKET	ST. STL. 300 SERIES/GRAFOIL	
2	UNION	STAINLESS STEEL TY316	CARBON STEEL, ZINC PLTD.
4	CAP SCREW	STAINLESS STEEL TY 316	CARBON STEEL, ZINC PLTD.
2	PLUG		CARBON STEEL, ZINC PLTD.
1	• DISC	ST. STL. 17-4 PH	ST. STL. 17-4 PH
1	• SHANK	ST. STL. 17-4 PH	ST. STL. 17-4 PH
1	STEM ASSY.	CONSISTS OF ITEMS •	
1	BONNET	STAINLESS STEEL TY316	CARBON STEEL, ZINC PLTD.
2	BLEED VALVE	STAINLESS STEEL TY316	CARBON STEEL, ZINC PLTD.

**SCHEMATIC DIAGRAM
INSTRUMENT SIDE**



PROCESS SIDE

SPECIFICATIONS

OPERATING PRESSURE: 6000 PSI
AT 200°F
SERVICE: WATER, OIL, GAS
ORIFICE: .38 DIA. (10 mm)
NON ROTATING STEM DISC

AVAILABLE FOR SOUR GAS SERVICE TO NACE STD. MR-01-75, CONSULT FACTORY FOR MATERIAL SPEC.

ORDERING INFORMATION

PART NUMBER	MATERIAL
3BP17	CARBON STEEL
3BP57	STAINLESS STEEL

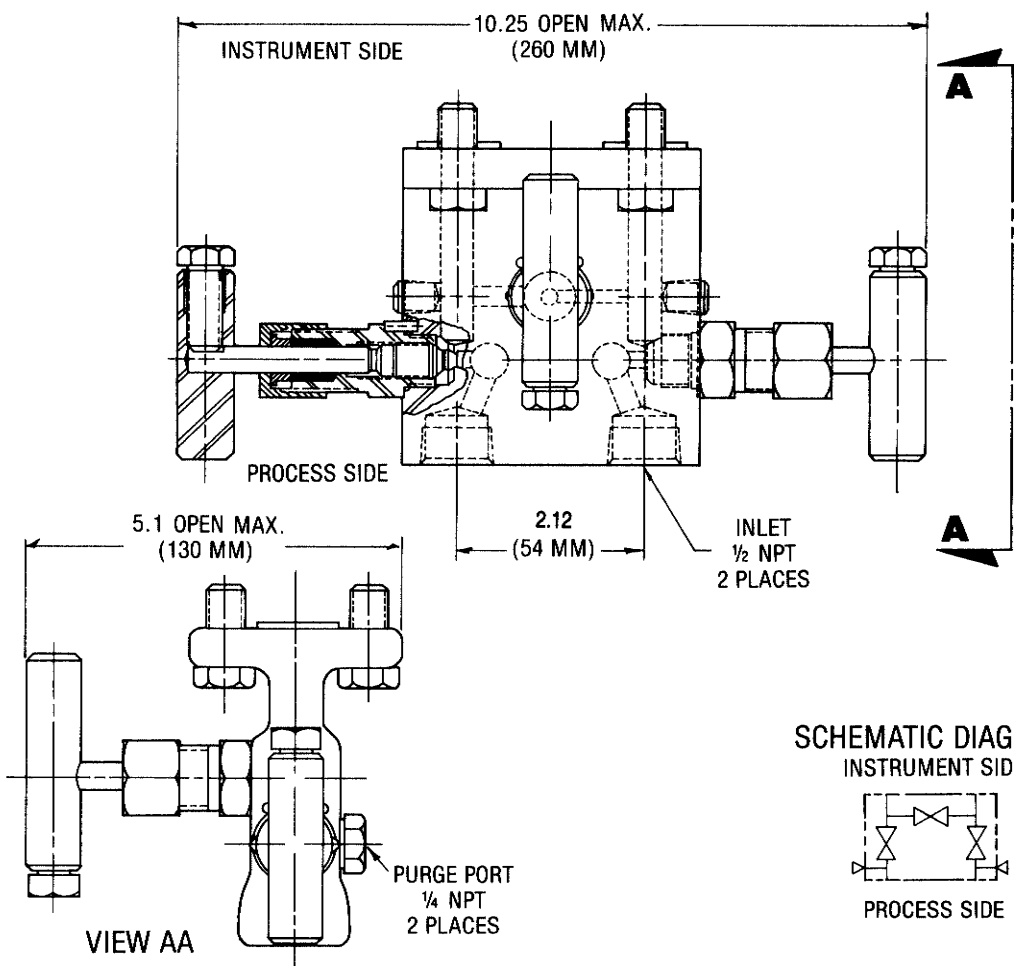
DRAGON VALVES, INC.

13457 EXCELSIOR DRIVE
P.O. BOX 489, NORWALK, CALIF.

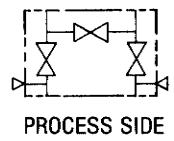


MODEL 3F

**3 VALVE MANIFOLD
SINGLE FLANGE**



SCHEMATIC DIAGRAM
INSTRUMENT SIDE



BILL OF MATERIALS

QTY ASST	PART NAME	STAINLESS STEEL		CARBON STEEL	
1	BODY	STAINLESS STEEL TY316		CARBON STEEL, ZINC PLTD.	
3	• DISC	ST. STL. 17-4 PH		ST. STL. 17-4 PH	
3	• SHANK	ST. STL. 17-4 PH		ST. STL. 17-4 PH	
3	STEM ASSY	CONSISTS OF ITEMS •			
3	BONNET	STAINLESS STEEL TY316		CARBON STEEL, ZINC PLTD.	
3	PACKING	AS ORDERED		AS ORDERED	
3	GLAND	STAINLESS STEEL TY316		CARBON STEEL, ZINC PLTD.	
3	PACKNUT	STAINLESS STEEL TY316		CARBON STEEL, ZINC PLTD.	
3	HANDLE	ST. STL. 300 SERIES		CARBON STEEL, ZINC PLTD.	
3	CAP SCREW	ST. STL. 300 SERIES		CARBON STEEL, ZINC PLTD.	
3	PIN	ST. STL. 300 SERIES		ST. STL. 300 SERIES	
4	PLUG	STAINLESS STEEL TY316		CARBON STEEL, ZINC PLTD.	
4	BOLT	ST. STL. 300 SERIES		CARBON STEEL, ZINC PLTD.	
2	GASKET	TEFLON		TEFLON	

SPECIFICATIONS

MATERIAL	PRESS	TEMP
STAINLESS STEEL	6000 PSI	200°F
	2000 PSI	850°F
CARBON STEEL	6000 PSI	200°F
	2000 PSI	750°F
MAX. TEMP. W/TEFLON PACKING: 500°F		

SERVICE: WATER, OIL, GAS
ORIFICE: .19 DIA (5MM)

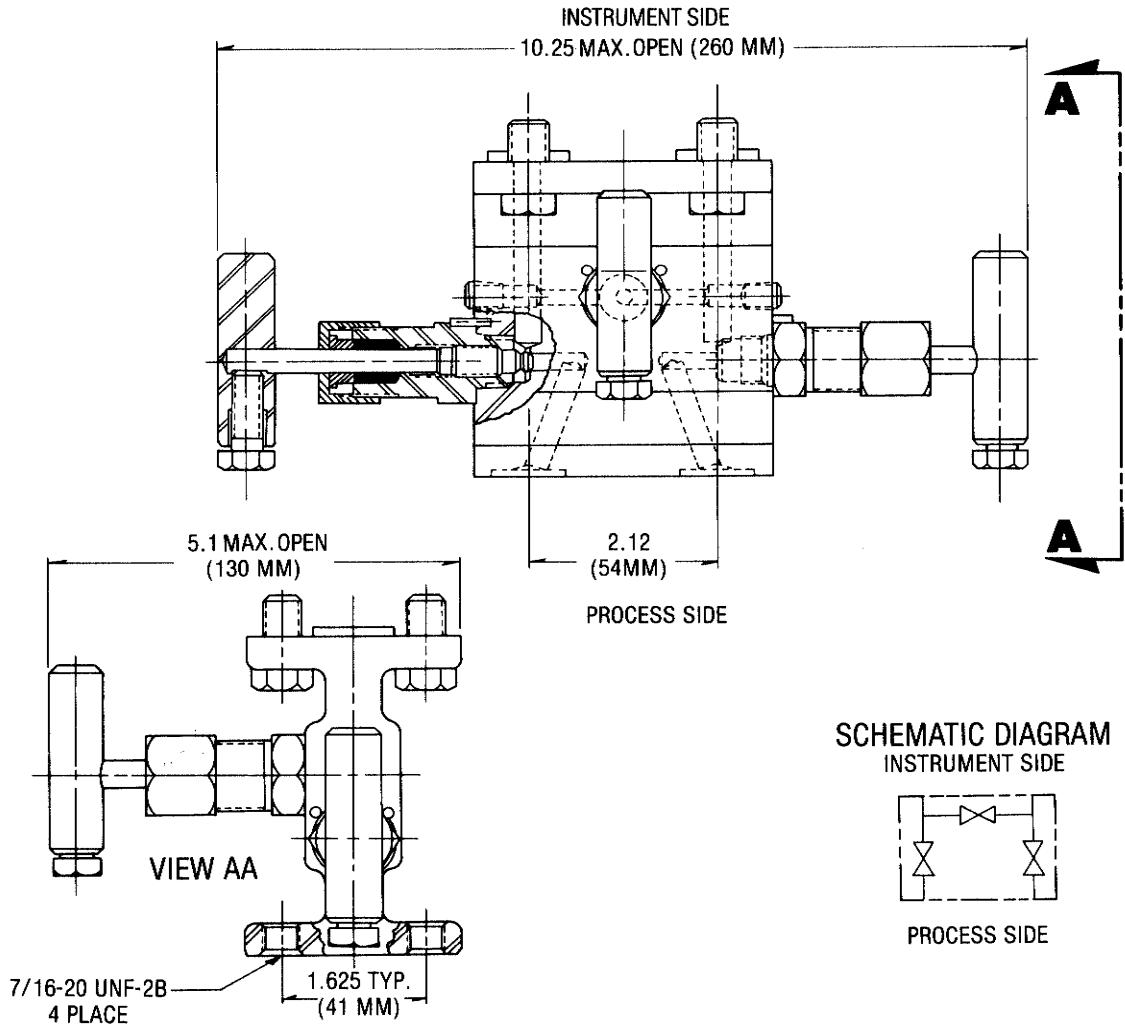
ORDERING INFORMATION

PART NUMBER	MATERIAL	PACKING	CONNECTIONS	
			INLET	OUTLET
3FC17	CARBON STEEL	GRAFOIL	1/2 FNPT	FLANGED
3FC57	STAINLESS STEEL			
3FT17	CARBON STEEL	TEFLON	1/2 FNPT	FLANGED
3FT57	STAINLESS STEEL			



3 VALVE MANIFOLD DOUBLE FLANGE

MODEL 3FF



BILL OF MATERIALS

QTY. ASSY	PART NAME	MATERIAL AND FINISH	
		STAINLESS STEEL	CARBON STEEL
1	BODY	STAINLESS STEEL TY316	CARBON STEEL, ZINC PLTD.
3	• DISC	ST. STL. 17-4 PH	ST. STL. 17-4 PH
3	• SHANK	ST. STL. 17-4 PH	ST. STL. 17-4 PH
3	STEM ASSY	CONSISTS OF ITEMS •	
3	BONNET	STAINLESS STEEL TY316	CARBON STEEL, ZINC PLTD.
3	PACKING	AS ORDERED	AS ORDERED
3	GLAND	STAINLESS STEEL TY316	CARBON STEEL, ZINC PLTD.
3	PACKNUT	STAINLESS STEEL TY316	CARBON STEEL, ZINC PLTD.
3	CAP SCREW	ST. STL. 300 SERIES	CARBON STEEL, ZINC PLTD.
3	HANDLE	ST. STL. 300 SERIES	CARBON STEEL, ZINC PLTD.
3	PIN	ST. STL. 300 SERIES	ST. STL. 300 SERIES
2	PLUG	ST. STL. 300 SERIES	CARBON STEEL, ZINC PLTD.
2	GASKET	TEFLON	TEFLON
4	BOLT	ST. STL. 300 SERIES	CARBON STEEL, ZINC PLTD.

SPECIFICATIONS

MATERIAL	PRESS	TEMP
STAINLESS STEEL	6000 PSI	200°F
	2000 PSI	850°F
CARBON STEEL	6000 PSI	200°F
	2000 PSI	750°F
MAX. TEMP. W/TEFLON PACKING 500°F		

SERVICE: WATER, OIL, GAS
ORIFICE .19 DIA. (5MM)

ORDERING INFORMATION

PART NUMBER	MATERIAL	PACKING	CONNECTIONS
3FFC17	CARBON STEEL	GRAFOIL	FLANGED INLET AND OUTLET
3FFC57	STAINLESS STEEL		
3FFT17	CARBON STEEL	TEFLON	
3FFT57	STAINLESS STEEL		

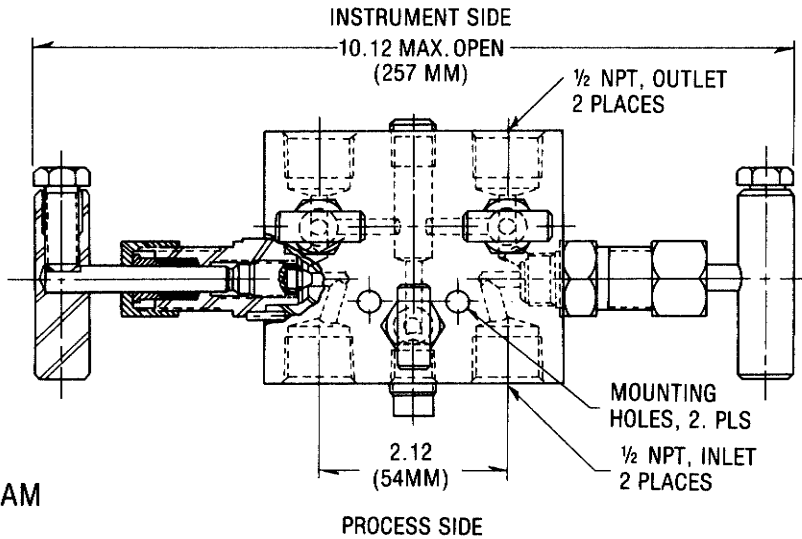
DRAGON VALVES, INC.

13457 EXCELSIOR DRIVE
P.O. BOX 489, NORWALK, CALIF.

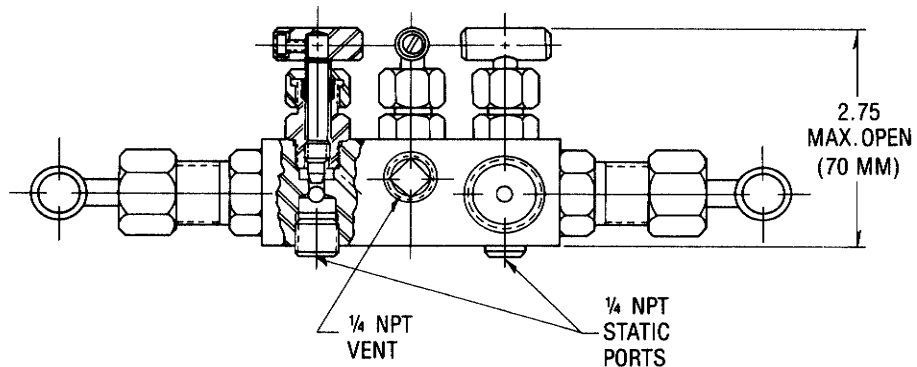
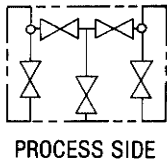


MODEL 55H

5 VALVE MANIFOLD HARD SEAT



SCHEMATIC DIAGRAM
INSTRUMENT SIDE



BILL OF MATERIALS

QTY. ASSY	PART NAME	MATERIAL & FINISH	
		STAINLESS STEEL	CARBON STEEL
1	BODY	STAINLESS STEEL TY316	CARBON STEEL, ZINC PLTD.
2	• DISC	ST. STL. 17-4 PH	ST. STL. 17-4 PH
2	• STEM	ST. STL. 17-4 PH	ST. STL. 17-4 PH
2	STEM ASSY.	CONSISTS OF ITEMS •	
5	BONNET	STAINLESS STEEL TY316	CARBON STEEL, ZINC PLTD.
2	PACKING	AS ORDERED	AS ORDERED
2	PACKING GLAND	ST. STL. 300 SERIES	CARBON STEEL, ZINC PLTD.
5	PACKING NUT	ST. STL. 300 SERIES	CARBON STEEL, ZINC PLTD.
2	PIN	ST. STL. 300 SERIES	ST. STL. 300 SERIES
3	STEM	STAINLESS STEEL TY316	STAINLESS STEEL TY316
3	PACKING	TEFLON	TEFLON
5	HANDLE	ST. STL. 300 SERIES	CARBON STEEL, ZINC PLTD.
2	CAP SCREW	ST. STL. 300 SERIES	CARBON STEEL, ZINC PLTD.
3	SET SCREW	ST. STL. 300 SERIES	ST. STL. 300 SERIES
3	PLUG	ST. STL. 300 SERIES	CARBON STEEL, ZINC PLTD.
1	PLUG	PLASTIC	PLASTIC

SPECIFICATIONS

MATERIAL	PRESS	TEMP
STAINLESS STEEL	6000 PSI	200 °F
	2000 PSI	850 °F
CARBON STEEL	6000 PSI	200 °F
	2000 PSI	750 °F
MAX. TEMP. W/TEFLON PACKING: 500 °F		

SERVICE: WATER, OIL, GAS
ORIFICE .19 DIA. (5MM)

ORDERING INFORMATION

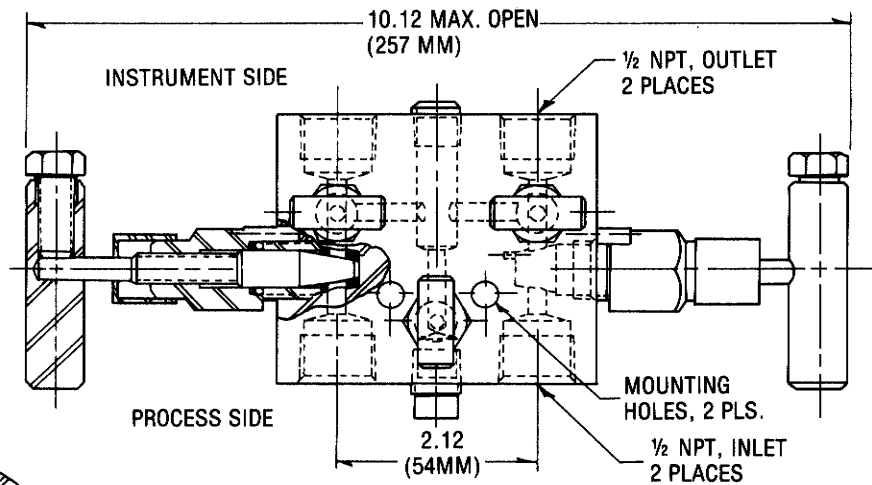
PART NUMBER	MATERIAL	PACKING	CONNECTIONS
55HC17	CARBON STEEL	GRAFOIL	1/2 NPT
55HC57	STAINLESS STEEL		
55HT17	CARBON STEEL	TEFLON	
55HT57	STAINLESS STEEL		



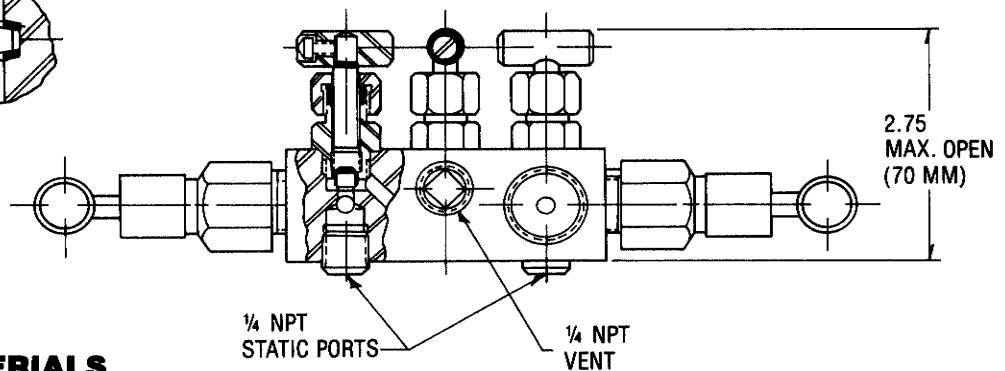
5 VALVE MANIFOLD SOFT SEAT STRAIGHT THRU

**MODEL 55A
MODEL 55B**

MODEL 55A
BONNET ASSEMBLY
WITH O-RING
STEM SEAL



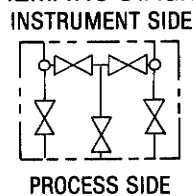
MODEL 55B
BONNET ASSEMBLY
WITH TEFLON PACKING



BILL OF MATERIALS

QTY. ASSY	PART NAME	MATERIAL & FINISH	
		STAINLESS STEEL	CARBON STEEL
1	BODY	STAINLESS STEEL TY316	CARBON STEEL, ZINC PLTD.
2	STEM	ST. STL. 17-4 PH	ST. STL. 17-4 PH
5	BONNET	STAINLESS STEEL TY316	CARBON STEEL, ZINC PLTD.
AR	PACKING	TEFLON	TEFLON
AR	PACKING GLAND	ST. STL. 300 SERIES	CARBON STEEL, ZINC PLTD.
AR	PACKING NUT	ST. STL. 300 SERIES	CARBON STEEL, ZINC PLTD.
2	O-RING	BUNA-N STANDARD	BUNA-N STANDARD
2	BACK-UP RING	TEFLON	TEFLON
2	DUST COVER	POLYETHYLENE	POLYETHYLENE
2	SEAT	DELRIN	DELRIN
2	SEAT PIN	ST. STL. 300 SERIES	ST. STL. 300 SERIES
3	• SEAT BY PASS	KEL-F	KEL-F
3	• STEM BY PASS	STAINLESS STEEL TY316	STAINLESS STEEL TY316
3	STEM ASSY.	CONSISTS OF ITEMS •	
2	BONNET PIN	ST. STL. 300 SERIES	ST. STL. 300 SERIES
5	HANDLE	ST. STL. 300 SERIES	CARBON STEEL, ZINC PLTD.
2	CAP SCREW	ST. STL. 300 SERIES	CARBON STEEL, ZINC PLTD.
3	SET SCREW	ST. STL. 300 SERIES	ST. STL. 300 SERIES
3	PLUG	ST. STL. 300 SERIES	CARBON STEEL, ZINC PLTD.
1	PLUG	PLASTIC	PLASTIC

SCHEMATIC DIAGRAM



SPECIFICATIONS

OPERATING PRESSURE:
6000 PSIG AT 200°F
SERVICE: WATER, OIL, GAS
ORIFICE: .19 DIA. (5 MM)

ORDERING INFORMATION

PART NO.	MATERIAL	PACKING	CONNECTIONS
55A17	CARBON STEEL	O-RING	1/2 NPT
55A57	STAINLESS STEEL		
55B17	CARBON STEEL	TEFLON	
55B57	STAINLESS STEEL		

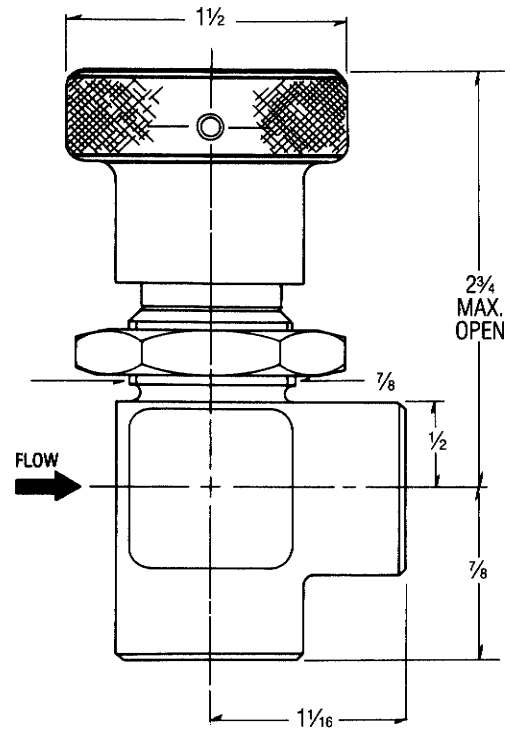
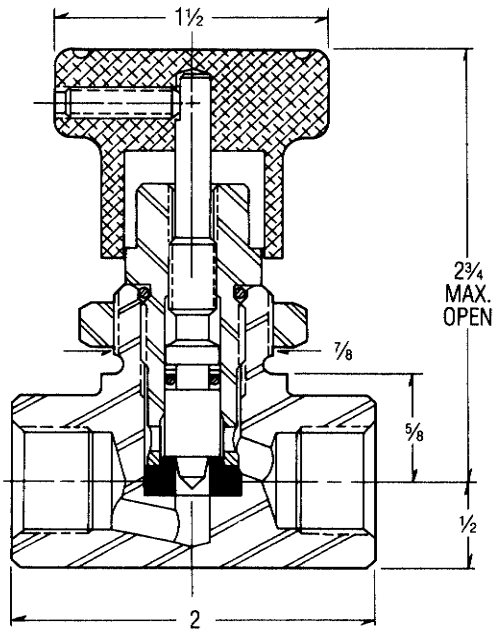
DRAGON VALVES, INC.

13457 EXCELSIOR DRIVE
P.O. BOX 489, NORWALK, CALIF.



MODEL 817

SOFT SEAT VALVE



SPECIFICATIONS

OPERATING PRESSURE: 6000 PSI AT 200°
 1500 PSI WITH TEFLON SEAT
 ORIFICE DIA.: .19
 SERVICE: WATER, OIL, GAS

AN MALE PER MS33656
 AN FEMALE PER MS33649

BILL OF MATERIALS

QTY. ASSY	PART NAME	MATERIALS
1	BODY	STAINLESS STEEL TY 316
1	STEM	STAINLESS STEEL TY 316
1	HANDLE	ALUMINUM ALLOY
1	BONNET	STAINLESS STEEL TY 316
1	LOCK NUT	ST. STL. 300 SERIES
1	SEAT	SEE ORDERING INST.
1	STEM SEAL	SEE ORDERING INST.

ORDERING INSTRUCTIONS

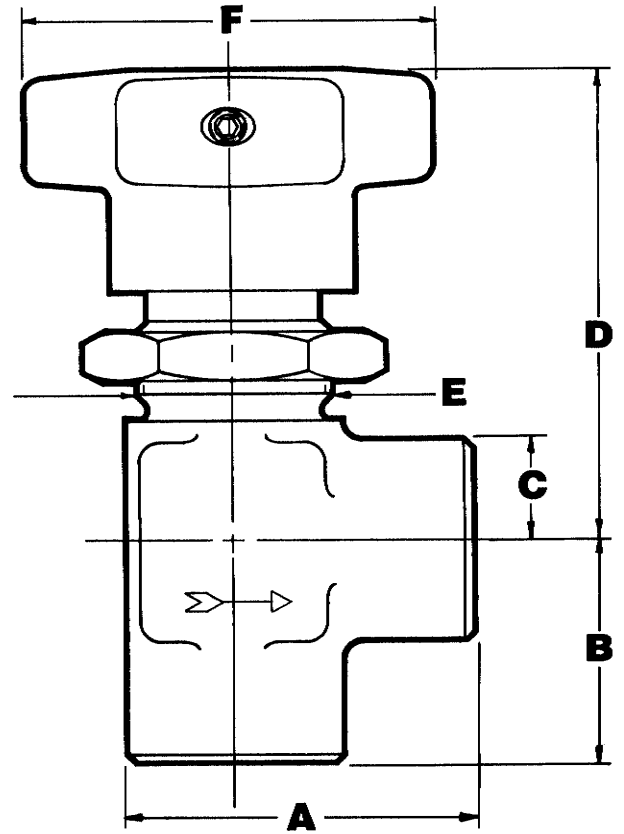
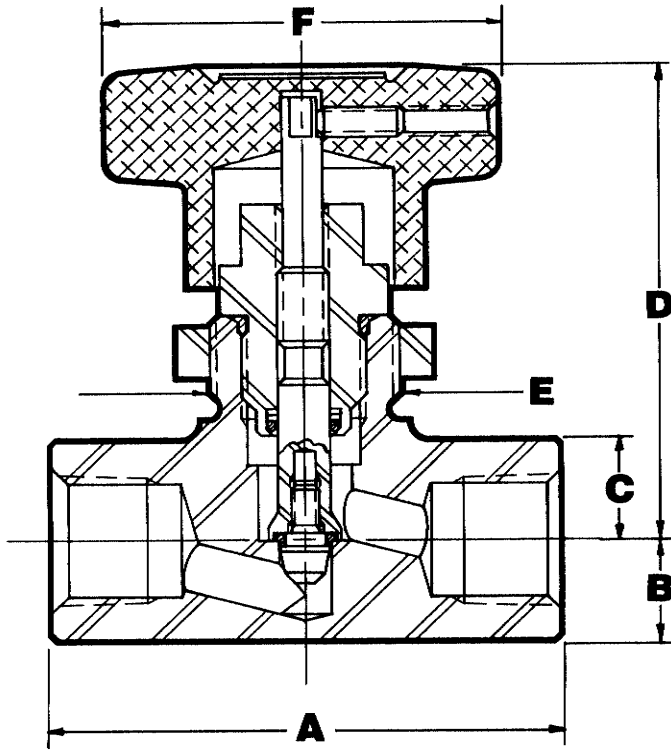
EXAMPLE: 817 05 3 K R

BODY TYPE		CONNECTIONS		SEATS		O-RING MATERIAL	
05	GLOBE FXF	3	1/4 NPT	K	KEL-F	R	BUNA-N
		4	1/4 TUBE AN4			S	SILICON
75	ANGLE FXF	5	3/8 NPT	T	TEFLON	V	VITON
		6	3/8 TUBE AN6			T	TEFLON



SOFT SEAT VALVE

MODEL 818



BILL OF MATERIALS

QTY, ASSY	PART, NAME	MATERIALS
1	BODY	STAINLESS STEEL, TY 316
1	STEM	STAINLESS STEEL, TY 316
1	BONNET	STAINLESS STEEL, TY 316
1	LOCK NUT	ST. STL. 300 SERIES
1	SEAT	SEE ORDERING INST.
1	STEM SEALS	SEE ORDERING INST.
1	RETAINER	ST. STL. 300 SERIES
1	GASKET	TEFLON

ORDERING INSTRUCTIONS

EXAMPLE: 818 05 3 K R

BODY TYPE	CONNECTIONS		SEATS	STEM SEAL MATL
06 FxG GLOBE	3 1/4 NPT	7 1/2 NPT	K KEL F	R BUNA-N
35 MxMGLOBE	4 1/4 TUBE AN4	8 1/2 TUBE AN8		S SILICON
75 FxF ANGLE	5 3/8 NPT	11 3/4 NPT	T TEFLON	T TEFLON
85 MxM ANGLE	6 3/8 TUBE AN6	12 3/4 TUBE AN12		V VITON
1" ANGLE: PREFIX "A" REQD., I.E.: A8187515KR		15 1 NPT	E EPR	Z KAL REZ
		16 1 TUBE AN16*		

SPECIFICATIONS

OPERATING PRESSURE: 6000 PSI AT 200°F
 SERVICE: WATER, OIL, GAS
 AN MALE PER MS33656
 AN FEMALE PER MS33649
 WHEN ORDERING TEFLON O-RINGS SUFFIX PART NO. - 749

DIMENSIONS GLOBE

1/4	2 1/4	5/8	3/4	3 5/8	1 1/8	2 3/8	3/16	1 1/2 lb.
3/8	3	5/8	3/4	3 5/8	1 1/8	2 3/8	5/16	2 lb.
1/2	3	5/8	3/4	3 5/8	1 1/8	2 3/8	5/16	2 lb.
3/4	4	1	1 1/16	4 1/2	1 5/8	3	9/16	6 lb.
1	4	1	1 1/16	4 1/2	1 5/8	3	5/8	6 lb.

ANGLE

1/4	1 3/8	1 1/8	3/4	3 5/8	1 1/8	2 3/8	3/16	1 1/2 lb.
3/8	1 3/8	1 1/8	3/4	3 5/8	1 1/8	2 3/8	5/16	2 lb.
1/2	1 3/8	1 1/8	3/4	3 5/8	1 1/8	2 3/8	5/16	2 lb.
3/4	2	2	1 1/16	4 1/2	1 5/8	3	9/16	6 lb.
1	2	2	1 1/16	4 1/2	1 5/8	3	7/8	6 lb.
SIZE	A	B	C	D OPEN	E PANEL BORE	F ORIFICE		WGT. LBS.

DRAGON VALVES, INC.

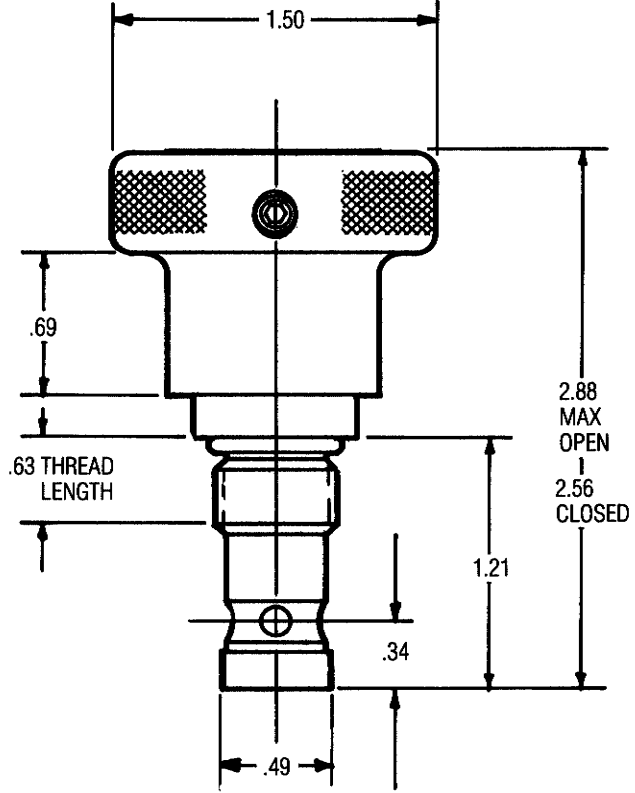
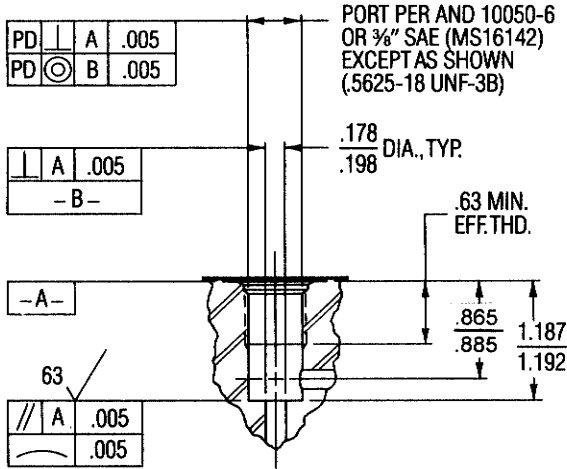
13457 EXCELSIOR DRIVE
 P.O. BOX 489, NORWALK, CALIF.



MODEL 6230

MANIFOLD CARTRIDGE VALVE

MACHINING THE CAVITY:



BILL OF MATERIALS

QTY. ASSY	PART NAME	MATERIAL
1	STEM	STAINLESS STEEL TY 316
1	BONNET	STAINLESS STEEL TY 316
1	HANDLE	ALUMINUM ALLØY
1	B/U RING	TEFLON
1	GASKET	TEFLON
1	SEAT	SEE ORDERING INST.
1	STEM SEAL	SEE ORDERING INST.

ORDERING INSTRUCTIONS

EXAMPLE: MODEL 6230 K R

SEATS		STEM SEAL MATERIAL	
T	TEFLON	R	BUNA-N
K	KEL-F	V	VITON

SPECIFICATIONS

OPERATING PRESSURE: 6000 PSI (KEL F SEAT) @ 200°F
1500 PSI (TEFLON SEAT) @ 200°F

SERVICE: WATER, OIL, GAS

SEATS AND SEALS MUST BE SPECIFIED.
SHIPPING WEIGHT 1/4 LB.

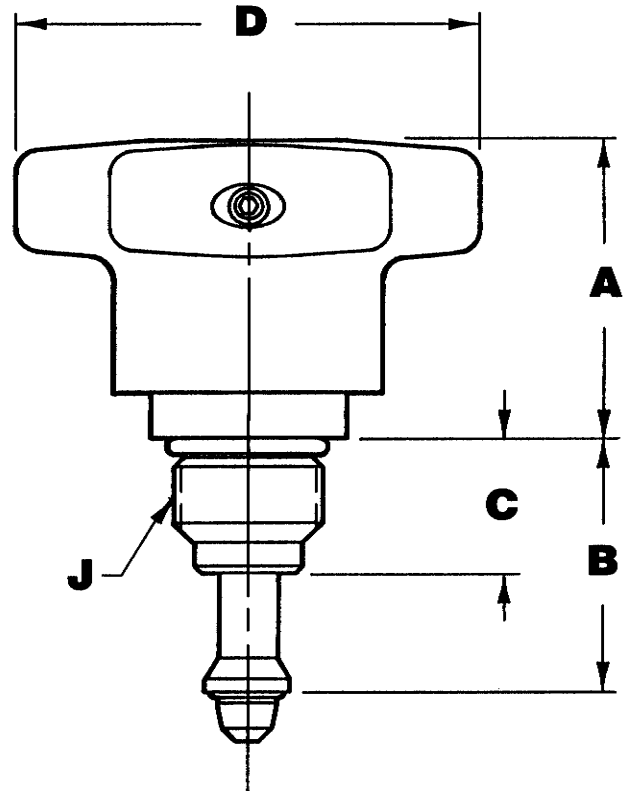
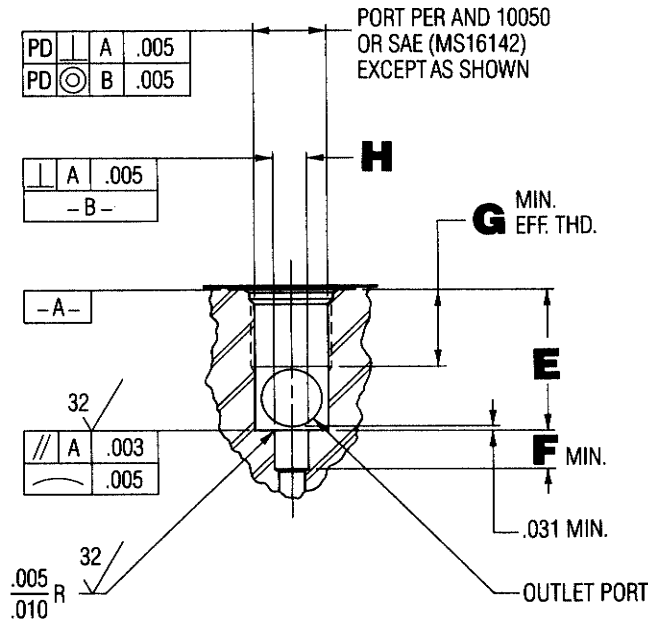
ORIFICE DIAMETER .187 [5MM]



MANIFOLD CARTRIDGE VALVE

MODEL 6863-1
MODEL 6863-2

MACHINING THE CAVITY:



DIMENSIONS

6863-2	2.75	2.25	1.56	2	1	3	2	.5	.88	.560 .566	1 1/8-12 UN-3A
6863-1	2.13	1.75	1	1.38	.75	2.375	1.375	.38	.75	.313 .325	3/4-16 UNF-3A
	OPEN MAX	CLOSED A	OPEN MAX	CLOSED B	C	D	E	F	G	H	J

SPECIFICATIONS

OPERATING PRESSURE: 6000 PSI AT 200°F
SERVICE: WATER, OIL, GAS

BILL OF MATERIALS

QTY. ASSY.	PART NAME	MATERIALS
1	STEM	STAINLESS STEELTY 316
1	BONNET	STAINLESS STEELTY 316
1	HANDLE	ALUMINUM ALLOY
1	GASKET	TEFLON
1	RETAINER	STAINLESS STEELTY 316
1	SEAT	SEE ORDERING INST.
1	STEM SEAL	SEE ORDERING INST.
1	B/U RING	TEFLON

ORDERING INSTRUCTIONS

EXAMPLE: 6863-1 K R

1 WHEN ORDERING
TEFLON O-RINGS
SUFFIX PART NO. 749

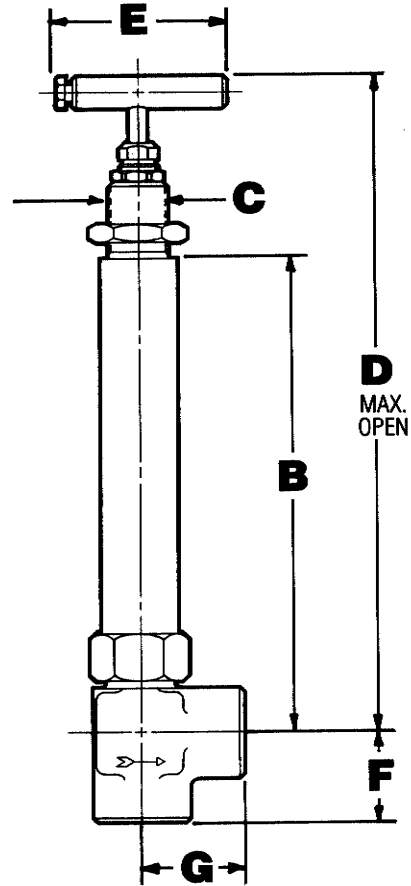
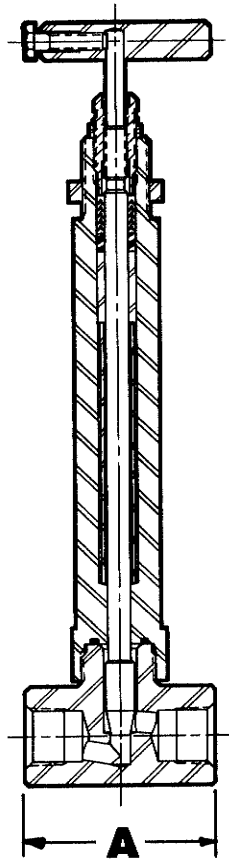
SIZE	SEATS	STEM SEAL MATERIAL
1	1/2 K	KEL-F
		TEFLON
2	3/4 T	TEFLON
		BUNA-N
		VITON
		EPR

DRAGON VALVES, INC.

13457 EXCELSIOR DRIVE
P.O. BOX 489, NORWALK, CALIF.

MODEL 808Y

CRYOGENIC NEEDLE VALVE



SPECIFICATIONS

OPERATING PRESSURE: ¼-½ 10,000 PSI AT -370° F
 ¾-1 6,000 PSI AT -370° F
 TEMPERATURE RANGE: -370° F TO +450° F
 FLOWING MEDIUM: LIQUID OXYGEN OR LIQUID NITROGEN
 CLEANING: CLEANED AND PACKED FOR LOX PER APPLICABLE
 SPECS, AS SPECIFIED; ADDITIONAL CHARGE

BILL OF MATERIALS

QTY. ASSY	PART NAME	MATERIAL
1	BODY	STAINLESS STEEL TY 316
1	STEM	17-4 PH
1	GASKET	TEFLON
1	STOP NUT	STAINLESS STEEL TY 316
1	SPACER	STAINLESS STEEL TY 304
1	SLEEVE	STAINLESS STEEL TY 316
1	PACK SET	TEFLON* (Avail. KEL F)
1	PACK RING	TEFLON* (Avail. KEL F)
2	LOCK NUT	ST. STL. 300 SERIES
1	PACKING FOLLOWER	BRONZE AMPCO GR45
1	CAP SCREW	ST. STL. 300 SERIES
1	HANDLE	ST. STL. 300 SERIES

DIMENSIONS

¼	2	7	¾	9¾	2 ⁷ / ₁₆	1 ⁵ / ₁₆	1 ¹ / ₁₆	¾	2 ½ lb.
½	2 ½	7 ³ / ₁₆	7 ⁷ / ₈	11	3 ³ / ₁₆	1 ¼	1 ¼	1 ⁷ / ₆₄	3 ½ lb.
¾	3	7 ⁷ / ₈	1 ½	11 ¼	3 ³ / ₁₆	1 ½	1 ½	1 ¹ / ₃₂	6 ½ lb.
1	4 ¼	8	1 ¾	13 ³ / ₈	4 ³ / ₄	2 ½	2 ½	1 ⁵ / ₃₂	9 lb. 14 oz.
SIZE	A	B	C	D	E	F	G	ORIF.	WGT. LBS.

ORDERING INSTRUCTIONS

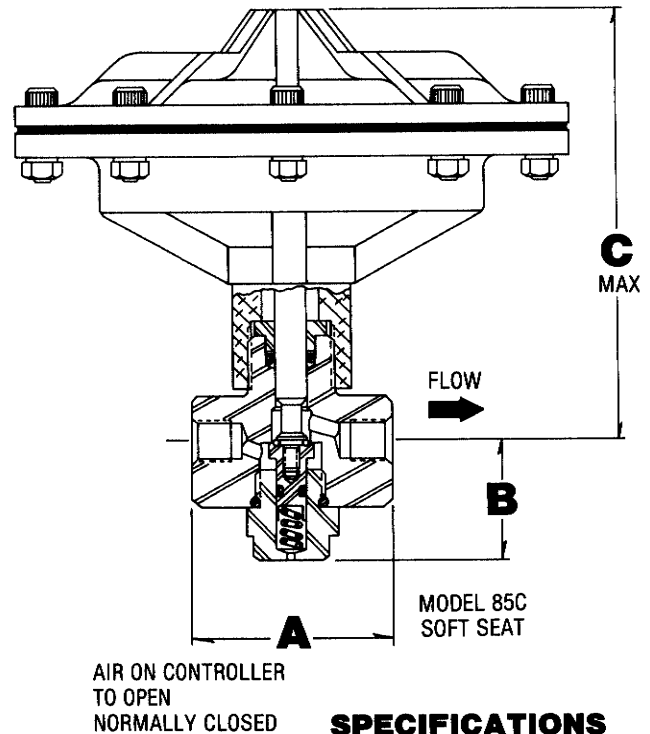
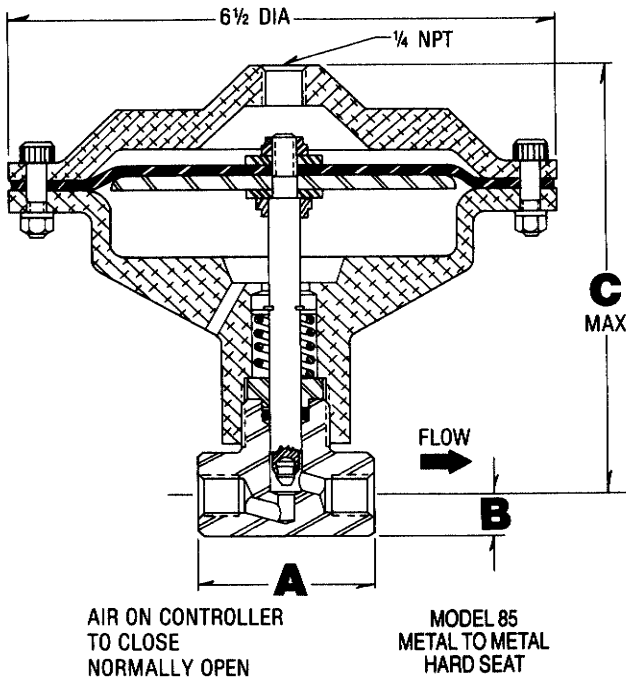
PART NO. EXAMPLE: 808Y 0 5 4

BODY TYPE	MATERIAL	CONNECTIONS		PKG. OPTION	
0	5	AISI 316	3 ¼ NPT	8 ½ TUBE AN8	When Ordering KEL F Pack Set and Pack Ring, Add Suffix K to Part No.
			4 ¼ TUBE AN 4	11 ¾ NPT	
7	AISI 316	AISI 316	7 ½ NPT	15 1 NPT	
			7 ½ NPT	16 1 TUBE AN16	



REMOTE CONTROL VALVE

**MODEL 85
MODEL 85C**



BILL OF MATERIALS

QTY. ASSY	PART NAME	MATERIAL & FINISH	
		CARBON STEEL	STAINLESS STEEL TY 316
1	BODY	CARBON STEEL ZINC PLTD	STAINLESS STEEL TY 316
1	BONNET	CARBON STEEL ZINC PLTD	STAINLESS STEEL TY 316
1	SPRING	ST. STL. 300 SERIES	
1	GASKET	TEFLON	
1	O-RING	VITON STANDARD, SEE ORDERING INST.	
1	BACK-UP RING	TEFLON	
1	RETAINER SEAT	STAINLESS STEEL TY 303	STAINLESS STEEL TY 316
1	O-RING, SEAT	TEFLON STANDARD, SEE ORDERING INST.	
1	SPACER	CARBON STEEL ZINC PLTD	STAINLESS STEEL TY 316
1	STEM ASSY.	STAINLESS STEEL TY 303	STAINLESS STEEL TY 316
1	LOWER COVER	ALUMINUM ALLOY TENZALOY	
8	LOCK NUT	CARBON STEEL ZINC PLTD	
8	CAP SCREW	ALLOY STEEL, MIL-B-933	
1	UPPER COVER	ALUMINUM ALLOY, TENZALOY	
1	WASHER	CARBON STEEL ZINC PLTD	
1	RETAINING RING	ST. STL. 300 SERIES	
1	ADAPTER	CARBON STEEL ZINC PLTD	
1	STIFFENER	ALUMINUM ALLOY, TENZALOY	
1	DIAPHRAGM	BUNA-N & NYLON	
2	DISC	CARBON STEEL ZINC PLTD	
1	LOCK NUT	CARBON STEEL ZINC PLTD	

SPECIFICATIONS

OPERATING PRESSURE
10,000 PSI AT 200°F
MAX. CONTROL PRESSURE: 200 PSIG
SERVICE: WATER, OIL, GAS
TEFLON O-RING ADDITIONAL CHARGE ON MODEL 85.

DIMENSIONS

	1/2	2 1/2	3/4	7	5/16
85	3/8	2 1/2	3/4	7	5/16
	1/4	2	1/2	6	3/16
85C	1/2	3	2	8	5/16
	3/8	3	2	8	5/16
	1/4	2 1/4	1 3/4	7	3/16
SIZE	A	B	C	ORIFICE	

ORDERING INSTRUCTIONS

EXAMPLES: 85 0 5 7 - V
85C 0 5 7 K V

BODY TYPE	MATERIAL	CONNECTIONS	SEATS (85C ONLY)	O-RING MATERIAL
0 GLOBE	1 CARBON STEEL	3 1/4 NPT	K KEL-F	R BUNA-N
		4 1/4 TUBE		T TEFLON
		5 3/8 NPT		
	5 STAINLESS STEEL 316	6 3/8 TUBE	T TEFLON	V VITON STANDARD
		7 1/2 NPT		
		8 1/2 TUBE		

DRAGON VALVES, INC.

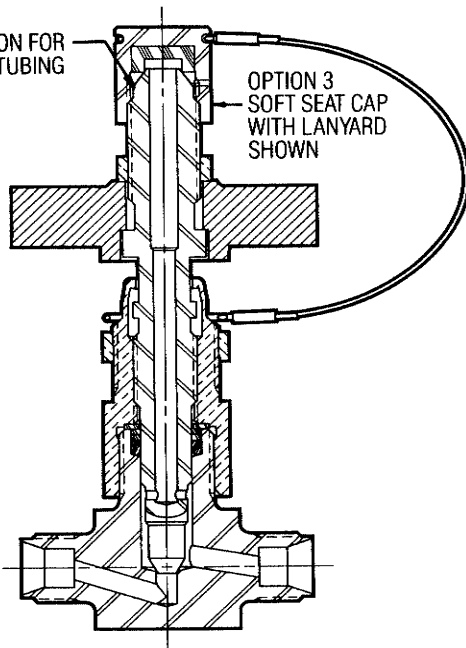
13457 EXCELSIOR DRIVE
P.O. BOX 489, NORWALK, CALIF.



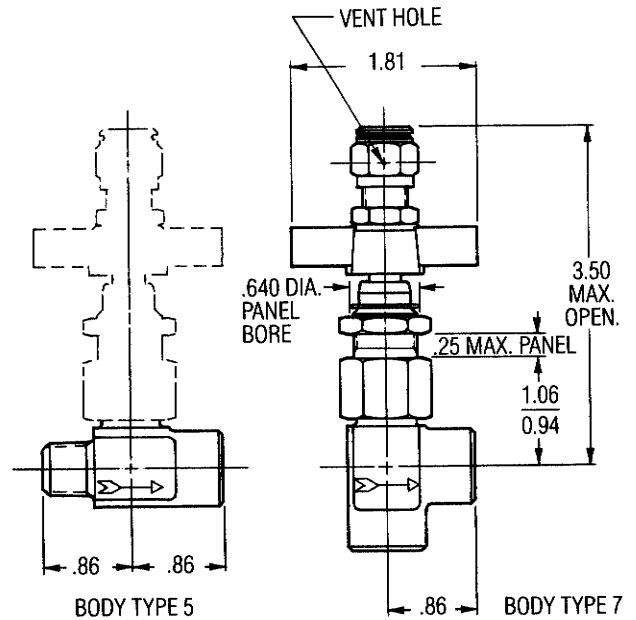
GAGE VALVE WITH STEM TEST CONNECTION

MODEL 1

TEST CONNECTION FOR
1/4" 37° FLARED TUBING



OPTION 3
SOFT SEAT CAP
WITH LANYARD
SHOWN

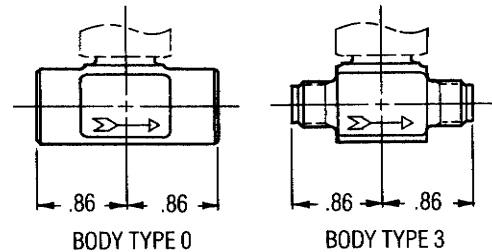


BODY TYPE 5

BODY TYPE 7

BILL OF MATERIALS

10	1	TEST CAP ASSEMBLY	CAP: SEE ORDERING INFORMATION SEAT: KEL-F LANYARD: PLASTIC COATED STAINLESS STEEL SLEEVE: COPPER
9	1	LOCK NUT	BRASS, QQ-B-626, BRIGHT NICKEL PLATED
8	1	HANDLE	ALUMINUM
7	1	PANEL NUT	BRASS QQ-B-626, BRIGHT NICKEL PLATED
6	1	PACKING WASHER	STAINLESS STEEL 300 SERIES
5	1	BACK-UP RING	TEFLON AMS 3651
4	1	O-RING	SEE ORDERING INFORMATION
3	1	ADAPTOR	BRASS QQ-B-626, BRIGHT NICKEL PLATED
2	1	STEM	SEE ORDERING INFORMATION
1	1	BODY	SEE ORDERING INFORMATION
ITEM	QTY. PER ASSY.	PART NAME	MATERIAL SPECIFICATIONS



BODY TYPE 0

BODY TYPE 3

SPECIFICATIONS

MATERIAL	PRESS	TEMP
0	3000 PSI	200°F
1, 5, 6	6000 PSI	200°F

- SERVICE: WATER, OIL, GAS.
- ORIFICE DIA.: .125.

ORDERING INFORMATION

PART NUMBER EXAMPLE: 1 3 5 4 V 3

ORDERING NOTES:

- FEMALE TUBE PER AND 10050, MALE TUBE PER MS33656.
- FEMALE TUBE PER MS 16142, MALE TUBE PER MIL-F-18866.
- MAIL TUBE AVAILABLE IN BODY TYPE 3 ONLY.
- IF NO OPTION IS SHOWN, HARD SEAT CAP WITHOUT LANYARD WILL BE FURNISHED.

BODY TYPE	MATERIALS			CONNECTIONS	PACKING	OPTIONS SEE NOTE 4	
	BODY	STEM	CAP				
0	GLOBE FxF	0	BRASS	ST. STL. TY 316	ST. STL. TY 316	1	HARD SEAT CAP WITH LANYARD
				ST. STL. TY 316	ST. STL. TY 316		
3	GLOBE MxM	1	CARBON STEEL	ST. STL. TY 316	ST. STL. TY 316	2	SOFT SEAT CAP
				ST. STL. TY 316	ST. STL. TY 316		
5	GLOBE MxF	5	ST. STL. TY 316	ST. STL. TY 316	ST. STL. TY 316	3	SOFT SEAT CAP WITH LANYARD
				ST. STL. TY 316	ST. STL. TY 316		
7	ANGLE FxF	6	MONEL	MONEL	MONEL	4	NUTS & FERRULES FOR MALE END FITTINGS
				MONEL	MONEL		

DRAGON VALVES, INC.